

Jinbo Marine

Marine & Offshore Equipment Datasheet

PRODUCT DATASHEET

SHACKLE

Crown Shackle

Crown Shackle also called Anchor Shackle, used to connect anchor shank and anchor chains.

Main Specification Anchor Type B(mm) b(mm) ...

ISO9001 Supplier

Class Certificate

Export Supply



Key Highlights

| | |
|---------------|---|
| Category | Shackle |
| Weight / Size | Main Specification Anchor Type B(mm) b(mm) b1(mm) D(mm) d(mm) d1(mm) H(m... |
| Certificate | LR, ABS, CCS |

We can supply according to your requirement, drawings, class certificate needs, and delivery schedule.



Technical Specifications

| Category | Shackle | Model / SKU | Crown-Shackle |
|----------|---------|-------------|---------------|
|----------|---------|-------------|---------------|

| | | | |
|--|--|--|--|
| | | | |
|--|--|--|--|



Weight / Size

Main Specification Anchor Type
 B(mm) b(mm) b1(mm) D(mm)
 d(mm) d1(mm) H(mm) Shackle
 Weight(kg) Anchor Weight(kg) a1
 49 21 4 35 16 14 60
 0.40
 15 a2 57 25 4
 40 19 16 72 0.63
 20 a3 70 30 5
 45 22 20 84 1.01
 30 a4 78 34 5
 50 26 22 98 143.00
 50 a5 85 37 6
 60 30 24 115
 2.10 100 a6 98
 42 7 68 34 28 130
 3.20
 150 a7 110 46 8
 75 36 32 145
 4.50 200 a8 122
 50 9 80 40 36 160
 6.00
 250 a9 136 56 10
 90 45 40 175
 8.30 360 a10 151
 61 11 100 52 45 192
 11.50
 450 a11 163 67
 12 110 55 48 215
 14.70 600 a12
 174 74 13 120 60 50 235
 17.80
 800 a13 200 80
 14 130 65 60 255
 26.30 1,020 a14
 215 91 15 156 75 62 280
 35.00
 1,500 a15 236 100
 17 174 80 68 310
 46.80 2,000 a16
 256 108 19 190 90 74 340
 60.70
 3,000 a17 279 115
 20 210 100 82 380
 80.80 3,060 a18
 284 120 20 210 100 82 385
 82.80
 3,540 a19 305 125
 22 230 110 90 410
 106.00 4,050 a20
 310 130 22 230 110 90 410
 109.00

Certificate

LR, ABS, CCS



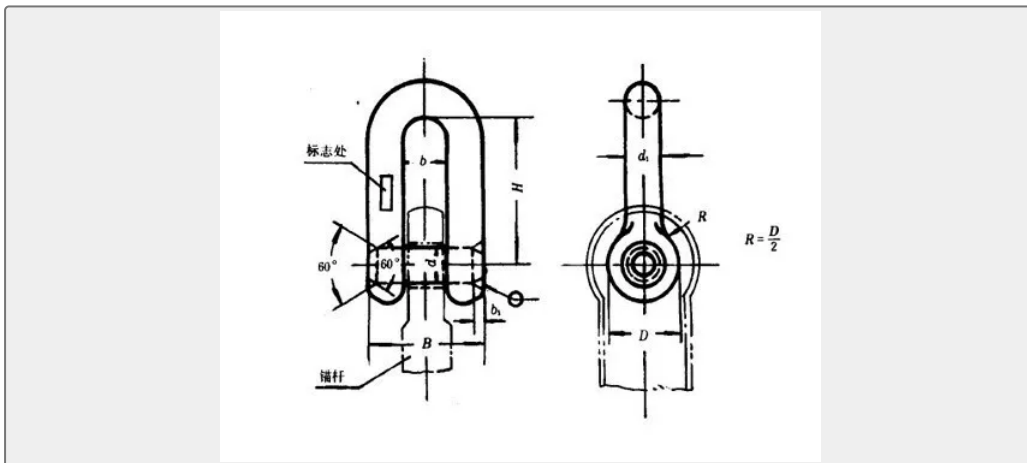
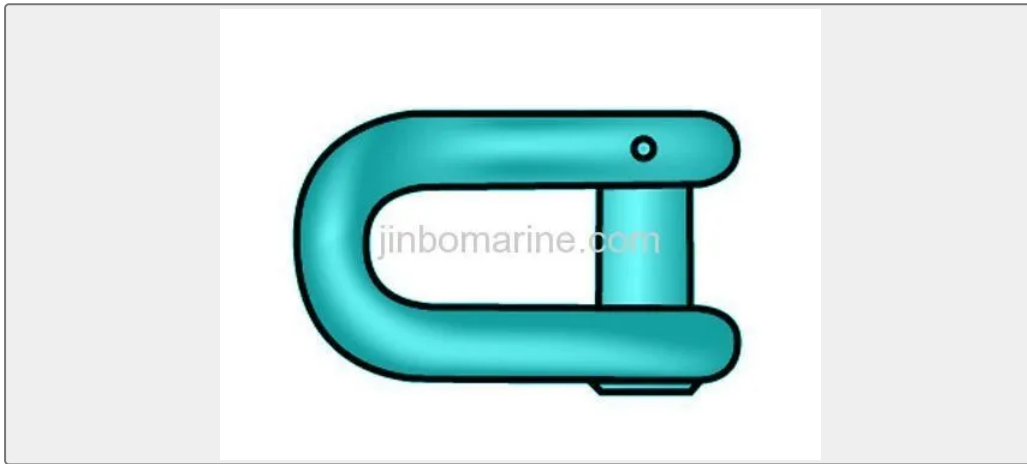
4,500 a21 335 135
 25 250 120 100 415
 139.00 5,000 a22
 343 143 25 20 120 100 450
 144.60
 6,000 a23 370 150
 27 270 130 110 480
 192.00 7,000 a24
 377 157 27 280 130 110 500
 196.30
 8,000 a25 391 163
 30 300 138 117 540
 238.60 9,000 a26
 418 170 30 310 145 124 580
 280.00
 10,000 a27 437 177
 32 320 150 135 600
 314.00 11,100 a28
 452 182 32 335 155 135 620
 353.00
 12,300 a29 468 188
 34 345 160 140 640
 390.00 13,500 a30
 483 193 34 355 165 145 660
 430.00
 14,700 a31 498 198
 36 365 170 150 680
 471.00 16,100 a32
 515 205 36 380 175 155 700
 523.00
 17,800 a33 534 214
 38 395 185 160 730
 584.00 20,000 a34
 564 224 38 410 190 170 770
 679.00
 23,000 a35 594 234
 40 430 200 180 800
 791.00 26,000 a36
 611 241 40 445 205 185 820
 863.00
 29,000 a37 626 246
 42 455 210 190 850
 934.00 31,000 a38
 642 252 42 465 215 195 860
 999.00
 33,000 a39 657 257
 44 475 220 200 880
 1,072.00 35,500 a40
 674 264 44 490 225 205 910
 1,165.00
 38,500 a41 692 272
 46 510 235 210 940

| | | | |
|-----------------|--|---------------|-------|
| | 1,279.00 720 280 46 520 240 220 960 1,412.00 46,000 | 42,000 a42 | |
| Warranty | 12 Months unless specified otherwise | Origin | China |

CONTENTS

■ China Crown Shackle:

■ Main Specification

China Crown Shackle:

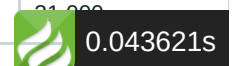
Crown Shackle also called Anchor Shackle, used to connect anchor shank and anchor chains.

Main Specification

| Anchor Type | B(mm) | b(mm) | b1(mm) | D(mm) | d(mm) | d1(mm) | H(mm) | Shackle Weight(kg) | Anchor Weight(kg) |
|-------------|-------|-------|--------|-------|-------|--------|-------|--------------------|-------------------|
| a1 | 49 | 21 | 4 | 35 | 16 | 14 | 60 | 0.40 | 15 |
| a2 | 57 | 25 | 4 | 40 | 19 | 16 | 72 | 0.63 | 20 |
| a3 | 70 | 30 | 5 | 45 | 22 | 20 | 84 | 1.01 | 30 |
| a4 | 78 | 34 | 5 | 50 | 26 | 22 | 98 | 143.00 | |

 0.043621s

| | | | | | | | | | |
|-----|-----|-----|----|-----|-----|-----|-----|--------|--------|
| a5 | 85 | 37 | 6 | 60 | 30 | 24 | 115 | 2.10 | 100 |
| a6 | 98 | 42 | 7 | 68 | 34 | 28 | 130 | 3.20 | 150 |
| a7 | 110 | 46 | 8 | 75 | 36 | 32 | 145 | 4.50 | 200 |
| a8 | 122 | 50 | 9 | 80 | 40 | 36 | 160 | 6.00 | 250 |
| a9 | 136 | 56 | 10 | 90 | 45 | 40 | 175 | 8.30 | 360 |
| a10 | 151 | 61 | 11 | 100 | 52 | 45 | 192 | 11.50 | 450 |
| a11 | 163 | 67 | 12 | 110 | 55 | 48 | 215 | 14.70 | 600 |
| a12 | 174 | 74 | 13 | 120 | 60 | 50 | 235 | 17.80 | 800 |
| a13 | 200 | 80 | 14 | 130 | 65 | 60 | 255 | 26.30 | 1,020 |
| a14 | 215 | 91 | 15 | 156 | 75 | 62 | 280 | 35.00 | 1,500 |
| a15 | 236 | 100 | 17 | 174 | 80 | 68 | 310 | 46.80 | 2,000 |
| a16 | 256 | 108 | 19 | 190 | 90 | 74 | 340 | 60.70 | 3,000 |
| a17 | 279 | 115 | 20 | 210 | 100 | 82 | 380 | 80.80 | 3,060 |
| a18 | 284 | 120 | 20 | 210 | 100 | 82 | 385 | 82.80 | 3,540 |
| a19 | 305 | 125 | 22 | 230 | 110 | 90 | 410 | 106.00 | 4,050 |
| a20 | 310 | 130 | 22 | 230 | 110 | 90 | 410 | 109.00 | 4,500 |
| a21 | 335 | 135 | 25 | 250 | 120 | 100 | 415 | 139.00 | 5,000 |
| a22 | 343 | 143 | 25 | 20 | 120 | 100 | 450 | 144.60 | 6,000 |
| a23 | 370 | 150 | 27 | 270 | 130 | 110 | 480 | 192.00 | 7,000 |
| a24 | 377 | 157 | 27 | 280 | 130 | 110 | 500 | 196.30 | 8,000 |
| a25 | 391 | 163 | 30 | 300 | 138 | 117 | 540 | 238.60 | 9,000 |
| a26 | 418 | 170 | 30 | 310 | 145 | 124 | 580 | 280.00 | 10,000 |
| a27 | 437 | 177 | 32 | 320 | 150 | 135 | 600 | 314.00 | 11,100 |
| a28 | 452 | 182 | 32 | 335 | 155 | 135 | 620 | 353.00 | 12,300 |
| a29 | 468 | 188 | 34 | 345 | 160 | 140 | 640 | 390.00 | 13,500 |
| a30 | 483 | 193 | 34 | 355 | 165 | 145 | 660 | 430.00 | 14,700 |
| a31 | 498 | 198 | 36 | 365 | 170 | 150 | 680 | 471.00 | 16,100 |
| a32 | 515 | 205 | 36 | 380 | 175 | 155 | 700 | 523.00 | 17,800 |
| a33 | 534 | 214 | 38 | 395 | 185 | 160 | 730 | 584.00 | 20,000 |
| a34 | 564 | 224 | 38 | 410 | 190 | 170 | 770 | 679.00 | 23,000 |
| a35 | 594 | 234 | 40 | 430 | 200 | 180 | 800 | 791.00 | 26,000 |
| a36 | 611 | 241 | 40 | 445 | 205 | 185 | 820 | 863.00 | 29,000 |
| a37 | 626 | 246 | 42 | 455 | 210 | 190 | 850 | 934.00 | 31,000 |



| | | | | | | | | | |
|-----|-----|-----|----|-----|-----|-----|-----|----------|--------|
| a38 | 642 | 252 | 42 | 465 | 215 | 195 | 860 | 999.00 | 33,000 |
| a39 | 657 | 257 | 44 | 475 | 220 | 200 | 880 | 1,072.00 | 35,500 |
| a40 | 674 | 264 | 44 | 490 | 225 | 205 | 910 | 1,165.00 | 38,500 |
| a41 | 692 | 272 | 46 | 510 | 235 | 210 | 940 | 1,279.00 | 42,000 |
| a42 | 720 | 280 | 46 | 520 | 240 | 220 | 960 | 1,412.00 | 46,000 |