

Jinbo Marine

Marine & Offshore Equipment Datasheet

PRODUCT DATASHEET

MARINE KITCHEN GALLEY

DCG-150R Marine Titling Frying Pan

DCG-150R Marine Titling Frying Pan 1.Complete stainless steel execution. 2.Rotary manual tilt device. 3.Heating temperature is between 60°C and 300°C, and can be set freely. 4.Induction system on the pan bottom wi...

ISO9001 Supplier

Class Certificate

Export Supply



Key Highlights

Category	Marine Kitchen Galley
Standard	EN
Material	SS
Weight / Size	DCG-150R Marine Titling Frying Pan Model Voltage Capacity Rating Size(Wx...
Certificate	ABS, LR, BV, DNVGL, NK, KR, IRS, RMRS, CCS

We can supply according to your requirement, drawings, class certificate needs, and delivery schedule.

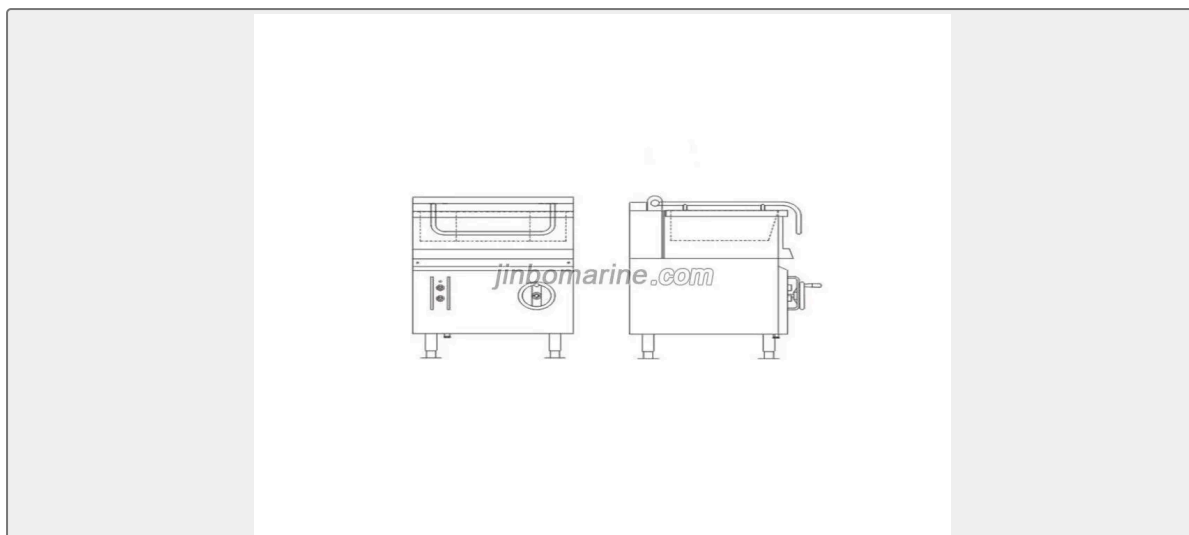
Technical Specifications			
Category	Marine Kitchen Galley	Model / SKU	DCG-150R-Marine-Titling-Frying-Pan
Standard	EN	Material	SS
Weight / Size	DCG-150R Marine Titling Frying Pan Model Voltage Capacity Rating Size(WxDxH)mm Weight DCG-40 380-415V/3P/50Hz 440-480V/3P/60Hz 40L 9Kw 700x700x850 120kg DCG-80 380-415V/3P/50Hz 440-480V/3P/60Hz 80L 9Kw 800x900x850 150kg DCG-40R 380-415V/3P/50Hz 440-480V/3P/60Hz 50L 9Kw 1025x700x850 150kg DCG-150R 380-415V/3P/50Hz 440-480V/3P/60Hz 15L 18Kw 1400x900x900 230kg	Certificate	ABS, LR, BV, DNVGL, NK, KR, IRS, RMRS, CCS
Warranty	12 Months unless specified otherwise	Origin	China

CONTENTS	■ DCG-150R Marine Titling Frying Pan	■ DCG-150R Marine Titling Frying Pan
-----------------	--------------------------------------	--------------------------------------

DCG-150R Marine Titling Frying Pan

- 1.Complete stainless steel execution.
- 2.Rotary manual tilt device.
- 3.Heating temperature is between 60°C and 300°C, and can be set freely.
- 4.Induction system on the pan bottom will automatically stop heating when the pan body tilt.
- 5.Rounded bottom designed, easy for cleaning.
- 6.With adjustable fixed feet.

DCG-150R Marine Titling Frying Pan



Model	Voltage	Capacity	Rating	Size(WxDxH)mm	Weight
DCG-40	380-415V/3P/50Hz 440-480V/3P/60Hz	40L	9Kw	700x700x850	120kg
DCG-80	380-415V/3P/50Hz 440-480V/3P/60Hz	80L	9Kw	800x900x850	150kg
DCG-40R	380-415V/3P/50Hz 440-480V/3P/60Hz	50L	9Kw	1025x700x850	150kg
DCG-150R	380-415V/3P/50Hz 440-480V/3P/60Hz	15L	18Kw	1400x900x900	230kg