

# Jinbo Marine

Marine & Offshore Equipment Datasheet

PRODUCT DATASHEET

FILTER

## DDL80 Single Drum Strainer

DDL80 Single Drum Strainer 1.The single drum strainer may act as strainer(first filter)before pump or bypass strainer after pump.meanwhile,it's applicable for filtering heavy oil and with self-sustaining function o...

ISO9001 Supplier

Class Certificate

Export Supply



### Key Highlights

|               |   |
|---------------|---|
| Category      | Filter  |
| Standard      | EN  |
| Material      | may be achieved in two options,e.g.straightforward connection or attache... |
| Weight / Size | DDL80 Single Drum Strainer Drawing DDL80 Single Drum Strainer Technical ... |
| Certificate   | ABS, LR, BV, DNVGL, NK, KR, IRS, RMRS, CCS                                  |

We can supply according to your requirement, drawings, class certificate needs, and delivery schedule.



| Technical Specifications |  |                    |   |  |
|--------------------------|--|--------------------|---|--|
| <b>Category</b>          | Filter   | <b>Model / SKU</b> | DDL80-Single-Drum-Strainer  |  |
| <b>Standard</b>          | EN   | <b>Material</b>    | may be achieved in two options,e.g.straightforward connection or attached in a right-angle.shell of the strainer is made of Q235A, with element designed as stainless steel cage,filtering precision in spec anging from 40 mesh/inch are available upon request. |  |
| <b>Weight / Size</b>     | DDL80 Single Drum Strainer Drawing DDL80 Single Drum Strainer Technical Parameters DN Structure size Flange Anchor Weight(kg) L H1 H2 H3 H4 $\Phi$ D D1 D2 N DO N-D1 65 250 680 525 452 352 321 185 145 122 4 18 3- $\Phi$ 24 55 80 340 810 642 562 446 412 200 160 133 8 18 95 100 340 915 725 625 515 412 200 160 133 8 18 108 125 400 925 725 612 445 512 250 210 184 8 18 145 150 400 1065 865 740 520 512 285 240 212 8 22 168 200 448 110 880 725 475 612 340 295 268 8 22 205 250 448 1340 1120 940 660 612 390 350 320 12 22 250 |                    | <b>Certificate</b>  | ABS, LR, BV, DNVGL, NK, KR, IRS, RMRS, CCS |
| <b>Warranty</b>          | 12 Months unless specified otherwise   | <b>Origin</b>      | China   |  |

**CONTENTS**

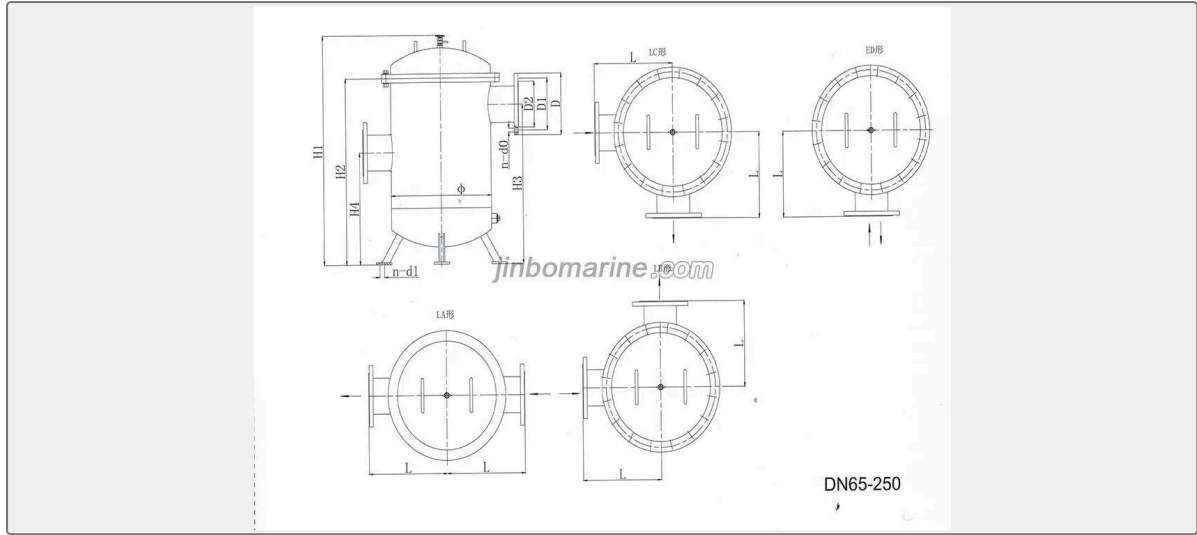
- DDL80 Single Drum Strainer
- DDL80 Single Drum Strainer Drawing
- DDL80 Single Drum Strainer Technical Parameters

## DDL80 Single Drum Strainer

- The single drum strainer may act as strainer(first filter)before pump or bypass strainer after pump.meanwhile,it's applicable for filtering heavy oil and with self-sustaining function of heating.
- Connection of single drum strainer: may be achieved in two options,e.g.straightforward connection or attached in a right-angle.shell of the strainer is made of Q235A, with element designed as stainless steel cage,filtering precision in spec anging from 40 mesh/inch are available upon request.
- The product performs quite effectively in filtering while ensuring efficient pass-through of various oils,which is easy to operate and convenient for maintenance.
- The single drum strainer is widely applied for filtering lubricant,fuel and heavy oils in oil pipelines attached to various models of diesel generators both onboard and on land,it's also applied for filtering process of petroleum,power,chemical and sewage treatment facilities.



# DDL80 Single Drum Strainer Drawing



## DDL80 Single Drum Strainer Technical Parameters

| DN  | Structure size |      |      |     |     |     | Flange |     |     |    |    | Anchor | Weight (kg) |
|-----|----------------|------|------|-----|-----|-----|--------|-----|-----|----|----|--------|-------------|
|     | L              | H1   | H2   | H3  | H4  | Φ   | D      | D1  | D2  | N  | DO | N-D1   |             |
| 65  | 250            | 680  | 525  | 452 | 352 | 321 | 185    | 145 | 122 | 4  | 18 | 3-Φ24  | 55          |
| 80  | 340            | 810  | 642  | 562 | 446 | 412 | 200    | 160 | 133 | 8  | 18 | 95     |             |
| 100 | 340            | 915  | 725  | 625 | 515 | 412 | 200    | 160 | 133 | 8  | 18 | 108    |             |
| 125 | 400            | 925  | 725  | 612 | 445 | 512 | 250    | 210 | 184 | 8  | 18 | 145    |             |
| 150 | 400            | 1065 | 865  | 740 | 520 | 512 | 285    | 240 | 212 | 8  | 22 | 168    |             |
| 200 | 448            | 1110 | 880  | 725 | 475 | 612 | 340    | 295 | 268 | 8  | 22 | 205    |             |
| 250 | 448            | 1340 | 1120 | 940 | 660 | 612 | 390    | 350 | 320 | 12 | 22 | 250    |             |