

YD MARINE WIRED TALK-BACK

DF-7 Marine Wired Intercom Power Box

DF-7 Marine Wired Intercom Power Box 1)DNV RULES FOR CLASSIFICATION SHIPS.
 2)DNV-CG-0339:2021 Environmental test specification for electrical, electronic and programmable equipment and systems 3)IEC 60945:2002 "M...

- ISO9001 Supplier
- Class Certificate
- Export Supply



jinbomarine.com

Key Highlights

Category	YD Marine Wired Talk-Back
Standard	EN
Material	IP22 Hull Material:
Certificate	ABS, LR, BV, DNVGL, NK, KR, IRS, RMRS, CCS

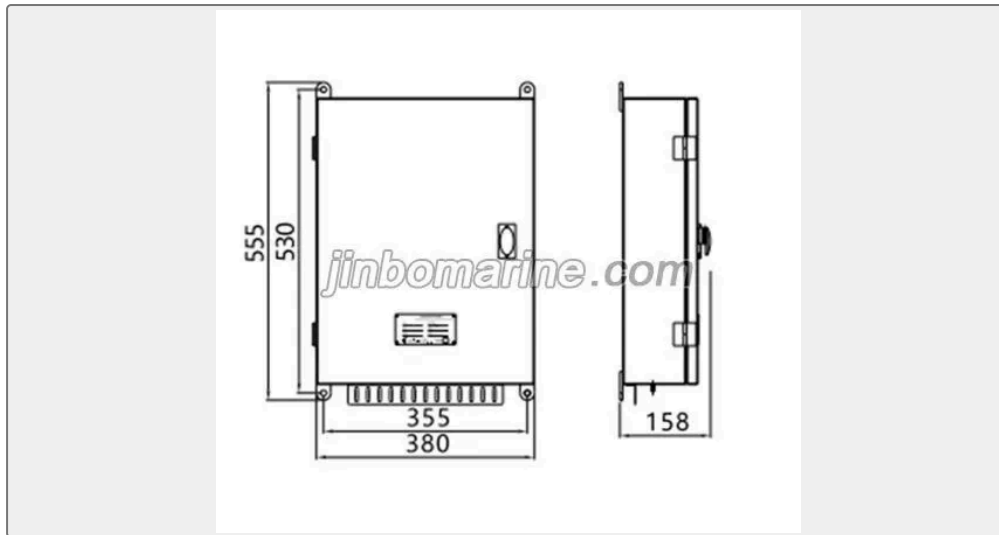
We can supply according to your requirement, drawings, class certificate needs, and delivery schedule.

Technical Specifications			
Category	YD Marine Wired Talk-Back	Model / SKU	DF-7-Marine-Wired-Intercom-Power-Box
Standard	EN	Material	IP22 Hull Material:
Certificate	ABS, LR, BV, DNVGL, NK, KR, IRS, RMRS, CCS	Warranty	12 Months unless specified otherwise
Origin	China		

China DF-7 Marine Wired Intercom Power Box:

DF-7 Marine Wired Intercom Power Box

- 1)DNV RULES FOR CLASSIFICATION SHIPS.
- 2)DNV-CG-0339:2021 Environmental test specification for electrical, electronic and programmable equipment and systems
- 3)IEC 60945:2002 "Marine Navigation and Radio Communication Equipment and Systems - General Requirements - Test Methods and Test Result Requirements"
- 4)IMO Resolution A.1021 (26) "2009 Alert Indicators and Indicators Rules"
- 5)IEC 60092-504:2016 "Marine Electrical Equipment Part 504: Special Sections Control and Instruments"
- 6)IACS UR E10 Rev.7 "Test Specifications for Type Approval of Electrical and Electronic Equipment" 0.100640s



Colour: RAL9005

Power supply: 1xAC220V,50/60HZ; 1xDC24V

Rated power output :200w/400w/600w

IP rating: IP22

Hull Material: Q235B