

Jinbo Marine

Marine & Offshore Equipment Datasheet

PRODUCT DATASHEET

EYE BOLTS & NUTS

DIN 580 Eye Bolt

Main Specification Drop Forged Material: Q235, 45# Steel Size Table Size d WLL t WLL t
DIMENSIONS ...

ISO9001 Supplier

Class Certificate

Export Supply



Key Highlights

Category	Eye Bolts & Nuts
Standard	DIN
Material	Q235,45#
Weight / Size	Q235, 45# Steel Size Table Size d WLL t WLL t DIMENSIONS Weight kg d1 mm...
Certificate	ABS, LR, BV, DNVGL, NK, KR, IRS, RMRS, CCS

We can supply according to your requirement, drawings, class certificate needs, and delivery schedule.

 0.049349s

Technical Specifications			
Category	Eye Bolts & Nuts	Model / SKU	DIN-580-Eye-Bolt
Standard	DIN	Material	Q235,45#
Weight / Size	Q235, 45# Steel Size Table Size d WLL t WLL t DIMENSIONS Weight kg d1 mm d2 mm d3 mm b mm e mm h mm k mm M6* 0.07 0.05 17 28 16 13 6 17 6 5 M8* 0.14 0.095 20 36 20 15 6 18 8 6 M10* 0.23 0.17 25 45 25 18 8 22 10 11 M12 0.34 0.24 30 54 30 22 10 26 12 18 M14* 0.49 0.34 35 63 35 28 12 30 14 28.5 M16 0.7 0.5 35 63 35 28 12 30 14 28 M20 1.2 0.83 40 72 40 30 12 35 16 45 M22* 1.5 1.05 45 81 45 35 14 40 18 67 M24 1.8 1.27 50 90 50 38 16 45 20 87 M27* 2.5 1.65 50 90 50 38 18 45 20 88 M30 3.6 2.6 65 108 60 45 18 55 24 166 M33* 4.3 3.2 65 108 60 45 22 55 24 172 M36 5.1 3.7 75 126 70 55 22 65 28 265 M39* 6.1 4.3 75 126 70 55 26 65 28 280 M42 7 5 85 144 80 65 30 75 32 403 M45* 8 5.5 85 144 80 65 30 75 32 425 M48 8.6 6.1 100 166 90 70 35 85 38 638 M52* 9.9 7.3 100 166 90 70 35 85 38 660	Certificate	ABS, LR, BV, DNVGL, NK, KR, IRS, RMRS, CCS
Warranty	12 Months unless specified otherwise	Origin	China

CONTENTS	<ul style="list-style-type: none"> ■ Main Specification ■ Size Table
-----------------	--

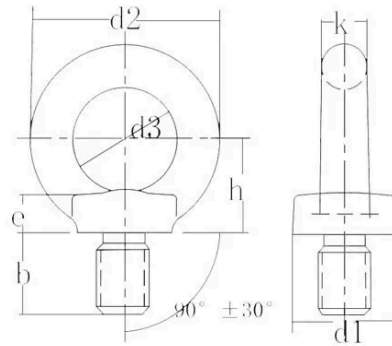
Main Specification

Drop Forged

Material: Q235, 45# Steel



Size Table



Size d	WLL t	WLL t	DIMENSIONS							Weight kg
			d1 mm	d2 mm	d3 mm	b mm	e mm	h mm	k mm	
M6*	0.07	0.05	17	28	16	13	6	17	6	5
M8*	0.14	0.095	20	36	20	15	6	18	8	6
M10*	0.23	0.17	25	45	25	18	8	22	10	11
M12	0.34	0.24	30	54	30	22	10	26	12	18
M14*	0.49	0.34	35	63	35	28	12	30	14	28.5
M16	0.7	0.5	35	63	35	28	12	30	14	28
M20	1.2	0.83	40	72	40	30	12	35	16	45
M22*	1.5	1.05	45	81	45	35	14	40	18	67
M24	1.8	1.27	50	90	50	38	16	45	20	87
M27*	2.5	1.65	50	90	50	38	18	45	20	88
M30	3.6	2.6	65	108	60	45	18	55	24	166
M33*	4.3	3.2	65	108	60	45	22	55	24	172
M36	5.1	3.7	75	126	70	55	22	65	28	265
M39*	6.1	4.3	75	126	70	55	26	65	28	280
M42	7	5	85	144	80	65	30	75	32	403
M45*	8	5.5	85	144	80	65	30	75	32	425
M48	8.6	6.1	100	166	90	70	35	85	38	638
M52*	9.9	7.3	100	166	90	70	35	85	38	660