

# Jinbo Marine

Marine &amp; Offshore Equipment Datasheet

PRODUCT DATASHEET

## ROPE THIMBLES

## DIN6899A Thimble

DIN6899A Thimble Material: Q235 Finish: Hot Dip Galvanized. Size: 1/8" to 1 1/4" Packing: Carton Use: Rigging for Wire Rope or Mooring Rope. Size Table ...

ISO9001 Supplier

Class Certificate

Export Supply



### Key Highlights

|               |  |
|---------------|--|
| Category      | Rope Thimbles                              |
| Standard      | DIN  |
| Material      | DIN6899A Thimble Material:                 |
| Weight / Size | Size:                                      |
| Certificate   | ABS, LR, BV, DNVGL, NK, KR, IRS, RMRS, CCS |

We can supply according to your requirement, drawings, class certificate needs, and delivery schedule.

### Technical Specifications

|               |  |             |                                      |
|---------------|--|-------------|--------------------------------------|
| Category      | Rope Thimbles                              | Model / SKU | DIN6899A-Thimble                     |
| Standard      | DIN  | Material    | DIN6899A Thimble Material:           |
| Weight / Size | Size:                                      | Surface     | Hot Dip Galvanized                   |
| Certificate   | ABS, LR, BV, DNVGL, NK, KR, IRS, RMRS, CCS | Warranty    | 12 Months unless specified otherwise |
| Origin        | China                                      |             |                                      |

## CONTENTS

- China DIN6899A Thimble:

- Size Table

## China DIN6899A Thimble:

### DIN6899A Thimble

Material: Q235

Finish: Hot Dip Galvanized.

Size: 1/8" to 1 1/4"

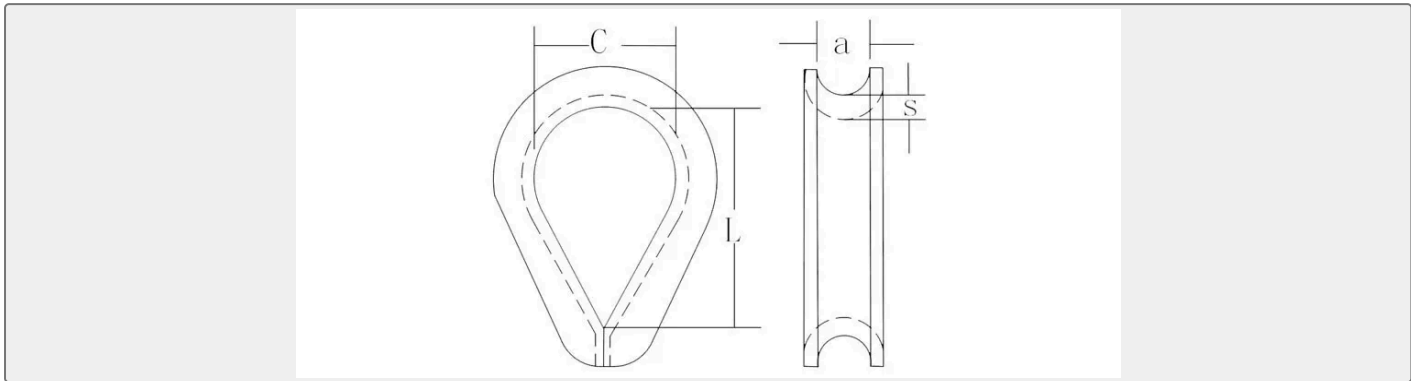


0.045545s

Packing: Carton

Use: Rigging for Wire Rope or Mooring Rope.

## Size Table



| SIZE(mm) | Dimensions ( mm ) |       |     |    |     |      |     | WT /100PCS(kg) |
|----------|-------------------|-------|-----|----|-----|------|-----|----------------|
|          | A                 | B     | C   | D  | E   | F    | H   |                |
| 2.5      | 28                | 21.5  | 16  | 10 | 5   | 3    | 1   | 0.14           |
| 3        | 30                | 23.5  | 17  | 11 | 5.5 | 3.5  | 1   | 0.35           |
| 4        | 34                | 26.5  | 19  | 12 | 6   | 4    | 1   | 0.42           |
| 5        | 36                | 28    | 20  | 13 | 7   | 5    | 1   | 0.8            |
| 6        | 38                | 30    | 22  | 14 | 8   | 6    | 1   | 0.85           |
| 7        | 43                | 33    | 24  | 15 | 9   | 7    | 1.2 | 1.1            |
| 8        | 46                | 35    | 26  | 16 | 10  | 8    | 1.2 | 1.7            |
| 9        | 50                | 39    | 29  | 18 | 11  | 9    | 1.2 | 2.1            |
| 10       | 56                | 43    | 32  | 20 | 13  | 10   | 1.5 | 3.5            |
| 11       | 63                | 47.5  | 36  | 22 | 14  | 11   | 1.5 | 3.7            |
| 12       | 68                | 51.5  | 40  | 24 | 15  | 12   | 1.5 | 5.25           |
| 13       | 75                | 56.5  | 44  | 26 | 17  | 13   | 2   | 7.25           |
| 14       | 82                | 61    | 48  | 28 | 18  | 14   | 2   | 8.33           |
| 16       | 91                | 69.5  | 54  | 32 | 21  | 16.5 | 2.5 | 12.3           |
| 18       | 102               | 78    | 59  | 35 | 24  | 18   | 3   | 18.5           |
| 20       | 114               | 86.5  | 68  | 40 | 28  | 20   | 4   | 31.5           |
| 22       | 126               | 95    | 76  | 44 | 30  | 22   | 4   | 36.5           |
| 24       | 135               | 103.5 | 84  | 48 | 32  | 24   | 4   | 41.7           |
| 28       | 162               | 120.5 | 100 | 56 | 38  | 28   | 5   | 72.1           |