

ANCHOR RELEASER

DIN81860 Cable Releaser

End fastening for anchor chain cables on board ships Chart: Size d1 x s1 d2 l1 u1 v1 v1 ...

- ISO9001 Supplier
- Class Certificate
- Export Supply



Key Highlights

Category	Anchor Releaser
Standard	DIN
Weight / Size	Size d1 x s1 d2 l1 u1 v1 v2 a1 a2 36-46 273 x 12.5 375 735 75 10 75 6 3 ...
Certificate	ABS, LR, BV, DNVGL, NK, KR, IRS, RMRS, CCS

We can supply according to your requirement, drawings, class certificate needs, and delivery schedule.

Technical Specifications

Category	Anchor Releaser	Model / SKU	DIN81860-Cable-Releaser
Standard	DIN	Weight / Size	Size d1 x s1 d2 l1 u1 v1 v2 a1 a2 36-46 273 x 12.5 375 735 75 10 75 6 3 48-56 323.9 x 14.2 440 835 95 12 90 4 58-68 406.4 x 16 540 995 110 14 95 8 5 70-81 508 x 17.5 645 1245 105 15 100 10 6 84-92 130 150 95-105 610 x 20 754 1430 18 8 107-114 170 185 117-127 711 x 22.2 856 1615 20 12 130-137 813 x 22.2 958 1790 142-152 914 x 25 1060 1970 190 22 200 14 10
Certificate	ABS, LR, BV, DNVGL, NK, KR, IRS, RMRS, CCS	Warranty	12 Months unless specified otherwise
Origin	China		

China DIN81860 Cable Releaser:

End fastening for anchor chain cables on board ships



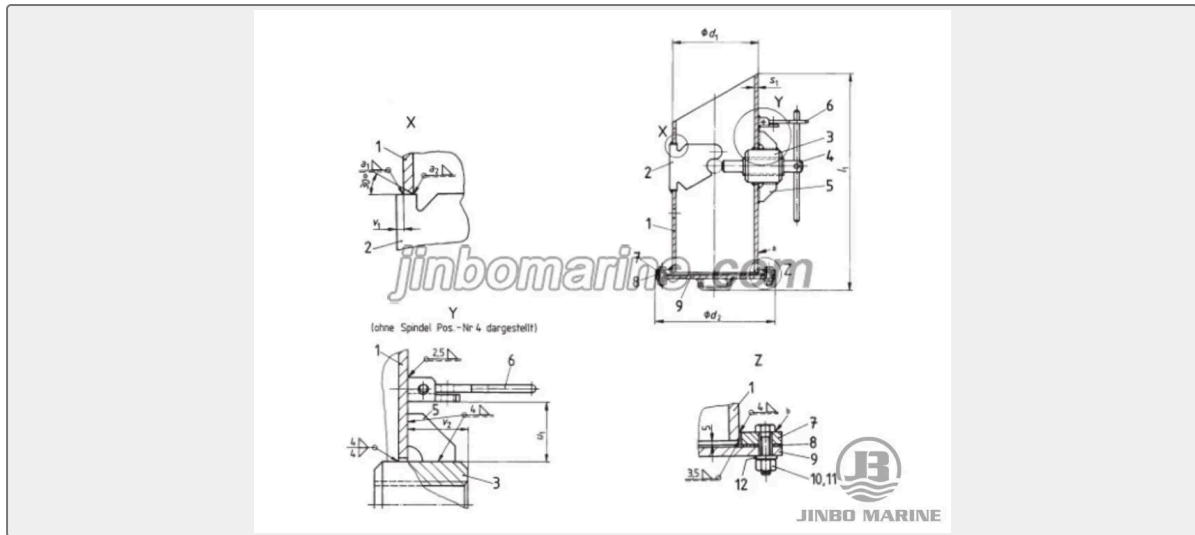


Chart:

Size	d1 x s1	d2	l1	u1	v1	v2	a1	a2
36-46	273 x 12.5	375	735	75	10	75	6	3
48-56	323.9 x 14.2	440	835	95	12	90		4
58-68	406.4 x 16	540	995	110	14	95	8	5
70-81	508 x 17.5	645	1245	105	15	100	10	6
84-92				130		150		
95-105	610 x 20	754	1430	170	18	185	12	8
107-114								
117-127	711 x 22.2	856	1615		20			
130-137	813 x 22.2	958	1790					
142-152	914 x 25	1060	1970	190	22	200	14	10