

Jinbo Marine

Marine & Offshore Equipment Datasheet

PRODUCT DATASHEET

MARINE CHOCK

DIN81915-1998 A Type Bulwark Mounted Ship Chock

ISO9001 Supplier

Class Certificate

Export Supply

DIN81915 A type chock, DIN81915 B type chock, DIN81915 C type chock available.
 Description: 1. Strict quality control. 2. Can issue BV, CCS, DNV, ABS, mill certificate.
 3. Material: Cast steel ZG200-400, ZG230-450. ...



Key Highlights

Category	Marine Chock
Standard	DIN
Material	Cast Steel
Weight / Size	Size chart:
Certificate	BV , ABS , CCS, NK, LR, DNV & GL, mill certificate etc.

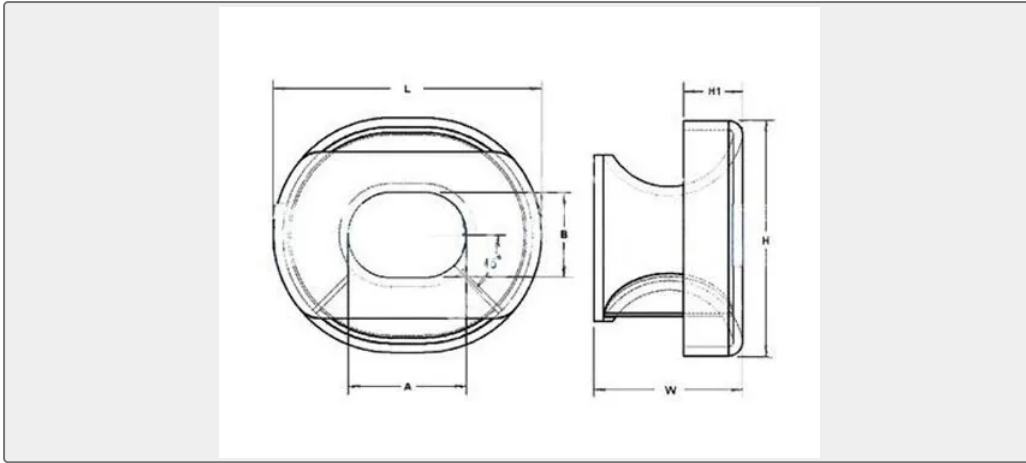
We can supply according to your requirement, drawings, class certificate needs, and delivery schedule.

Technical Specifications

Category	Marine Chock	Model / SKU	DIN81915-1998-A-Type-Bulwark-Mounted-Ship-Chock
Standard	DIN	Material	Cast Steel
Weight / Size	Size chart:	Certificate	BV , ABS , CCS, NK, LR, DNV & GL, mill certificate etc.
Warranty	12 Months unless specified otherwise	Origin	China



China DIN81915-1998 A Type Bulwark Mounted Ship Chock:



DIN81915 A type chock,DIN81915 B type chock,DIN81915 C type chock available.

Description:

- 1.Strict quality control.
- 2.Can issue BV,CCS,DNV,ABS,mill certificate.
- 3.Material:Cast steel ZG200-400,ZG230-450.
- 4.Paint:Grey Epoxy Primer or Black Bitumen Paint.
- 5.Packing:Iron shelf.
- 6.We have own casting factory,ensure our product have reliable quality with competitive price.

Size chart:

DIN81915-1998 A Type Bulwark Mounted Ship Chock								
Product No.	SWL(KN)	Dimension(mm)						Mass(kgs)
		L	W	H	H1	A	B	
BMD-001	20	360	200	315	70	160	115	30
BMD-002	30	450	250	390	75	200	140	50
BMD-003	50	550	300	480	80	250	180	85
BMD-004	80	680	360	585	90	320	225	140
BMD-005	125	840	440	710	110	400	270	210
BMD-006	200	1020	520	840	130	500	320	320
BMD-007	320	1300	700	1100	150	600	400	800