

Jinbo Marine

Marine & Offshore Equipment Datasheet

PRODUCT DATASHEET

MARINE CHOCK

DIN81915-1998 C Type Deck Mounted Chock

It is a very popular type marine chock, widely used for vessel, tug, cargo ship, military ship, industrial ships etc, Usually it is install at bow and stern of tankers for general mooring purposes. Description: 1...

ISO9001 Supplier

Class Certificate

Export Supply



Key Highlights

Category	Marine Chock
Standard	DIN
Material	Cast Steel
Weight / Size	Size chart:
Certificate	ABS , BV, CCS , mill certificate etc.

We can supply according to your requirement, drawings, class certificate needs, and delivery schedule.

Technical Specifications

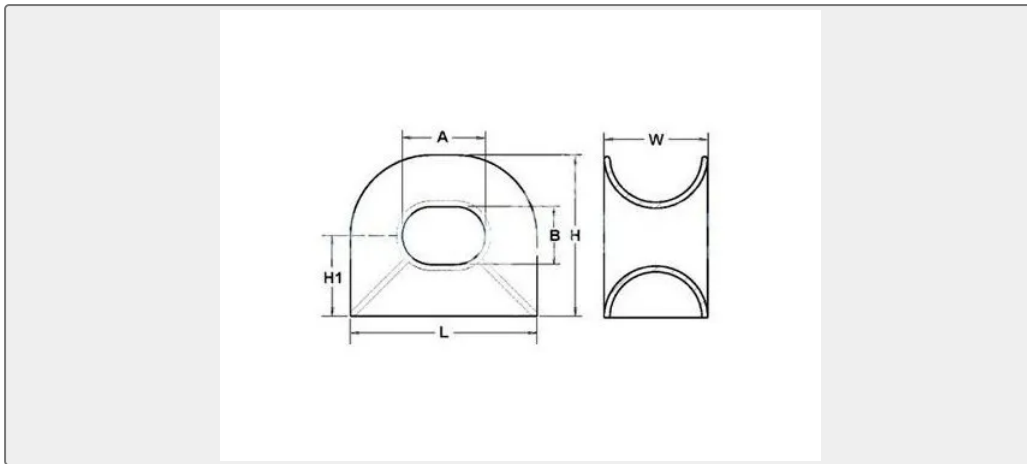
Category	Marine Chock	Model / SKU	DIN81915-1998-C-Type-Deck-Mounted-Chock
Standard	DIN	Material	Cast Steel
Weight / Size	Size chart:	Surface	1.Can issue BV,CCS,DNV,ABS,mill certificate 2.Good after-sale service 3.Installed easily 4.surface been finished smoothly.
Certificate	ABS , BV, CCS , mill certificate etc.	Warranty	12 Months unless specified otherwise
Origin	China		

CONTENTS

- China DIN81915-1998 C Type Deck Mounted Chock:
- Description:
- Remarks:
- Size chart:



China DIN81915-1998 C Type Deck Mounted Chock:



It is a very popular type [marine chock](#), widely used for vessel, tug, cargo ship, military ship, industrial ships etc, Usually it is install at bow and stern of tankers for general mooring purposes.

Description:

- 1.Can issue BV,CCS,DNV,ABS,mill certificate
- 2.Good after-sale service
- 3.Installed easily
- 4.surface been finished smoothly.

Remarks:

Type C2 - C8 =Single Chock according to panama rules;

Type C12 - C32 =Double Chock according to panama rules.

Size chart:

DIN81915-1998 C type Deck mounted Chock								
Product No.	SWL(KN)	Dimension(mm)						Mass(kgs)
		L	W	H	H1	A	B	
DMC-001	10	285	160	250	125	125	90	19.5
DMC-002	20	360	200	316	158	160	115	29
DMC-003	30	450	250	390	195	200	140	48
DMC-004	50	550	300	480	240	250	180	85
DMC-005	80	680	360	586	293	320	225	136



DMC-006	125	840	440	710	355	400	270	211
DMC-007	200	1020	520	840	420	500	320	256
DMC-008	320	1300	700	1100	550	600	400	840

