

# Jinbo Marine

Marine & Offshore Equipment Datasheet

PRODUCT DATASHEET

## MARINE KITCHEN GALLEY

# DJ70A Marine Soy Milk Tofu Machine

DJ70A Marine Soy Milk Tofu Machine 1. All stainless steel structure 2. Compact structure, beautiful and generous, durable 3. High efficiency, time saving, low consumption, no noise, no pollution 4. With soy milk...

ISO9001 Supplier

Class Certificate

Export Supply



### Key Highlights

Category	Marine Kitchen Galley
Standard	EN
Material	SS
Weight / Size	Equipped with stainless steel adjustable feet for easy installation on b...
Certificate	ABS, LR, BV, DNVGL, NK, KR, IRS, RMRS, CCS

We can supply according to your requirement, drawings, class certificate needs, and delivery schedule.

### Technical Specifications

Category	Marine Kitchen Galley	Model / SKU	DJ70A-Marine-Soy-Milk-Tofu-Machine
Standard	EN	Material	SS
Weight / Size	Equipped with stainless steel adjustable feet for easy installation on board DJ70A Marine Soy Milk Tofu Machine Drawing DJ70A Marine Soy Milk Tofu Machine Parameters Model DJ35A DJ70A Production 70kg/h 105kg/h Voltage 380/415V-3PH-50Hz 440/480v 3ph-60Hz Power(kw) 10 13 Size(mm) 1060x540x1342 1580x545x1100 Weight(kg) 104 120	Certificate	ABS, LR, BV, DNVGL, NK, KR, IRS, RMRS, CCS
Warranty	12 Months unless specified otherwise	Origin	China



0.071021s

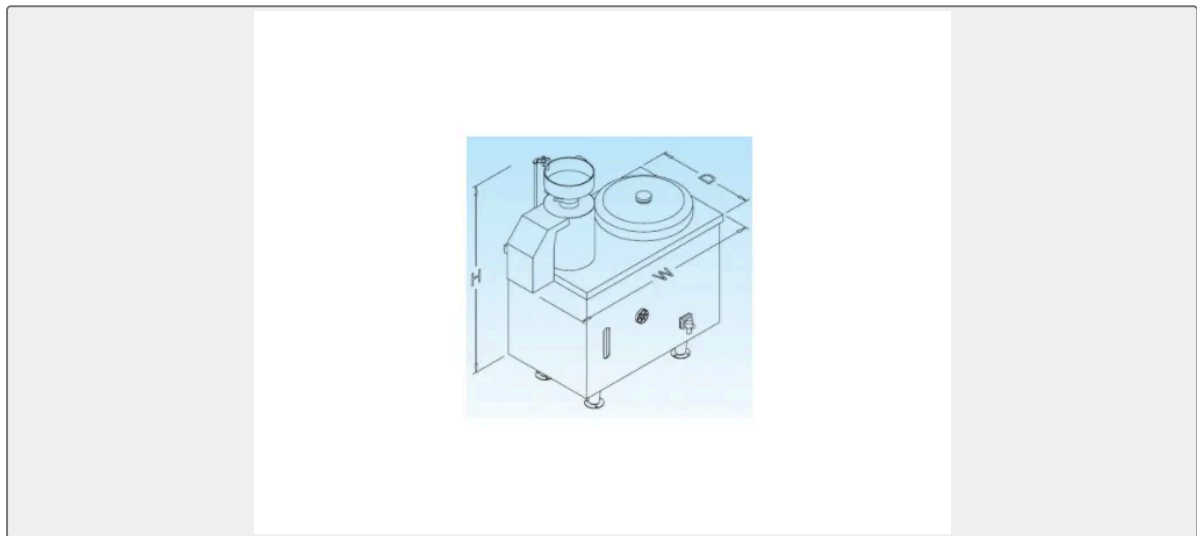
**CONTENTS**

- DJ70A Marine Soy Milk Tofu Machine
  - DJ70A Marine Soy Milk Tofu Machine Parameters
- DJ70A Marine Soy Milk Tofu Machine Drawing

## DJ70A Marine Soy Milk Tofu Machine

1. All stainless steel structure
2. Compact structure, beautiful and generous, durable
3. High efficiency, time saving, low consumption, no noise, no pollution
4. With soy milk temperature display
5. Equipped with stainless steel adjustable feet for easy installation on board

## DJ70A Marine Soy Milk Tofu Machine Drawing



## DJ70A Marine Soy Milk Tofu Machine Parameters

Model	DJ35A	DJ70A
Production	70kg/h	105kg/h
Voltage	380/415V-3PH-50Hz 440/480v 3ph-60Hz	
Power(kw)	10	13
Size(mm)	1060x540x1342	1580x545x1100
Weight(kg)	104	120