

# Jinbo Marine

Marine & Offshore Equipment Datasheet

PRODUCT DATASHEET

## MARINE KITCHEN GALLEY

# DKX-15 Marine Electric Oven

DKX-15 Marine Electric Oven 1. All stainless steel structure 2. Two sets of heaters are installed in the oven, and they are controlled independently 3. The temperature of the oven can be set arbitrarily within th...

ISO9001 Supplier

Class Certificate

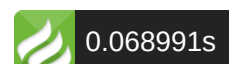
Export Supply



### Key Highlights

Category	Marine Kitchen Galley
Standard	EN
Material	SS
Weight / Size	Optional computer panel temperature control DKX-15 Marine Electric Oven ...
Certificate	ABS, LR, BV, DNVGL, NK, KR, IRS, RMRS, CCS

We can supply according to your requirement, drawings, class certificate needs, and delivery schedule.



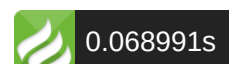
Technical Specifications			
Category	Marine Kitchen Galley	Model / SKU	DKX-15-Marine-Electric-Oven
Standard	EN	Material	SS
Weight / Size	Optional computer panel temperature control DKX-15 Marine Electric Oven Drawing DKX-15 Marine Electric Oven Parameters Model DKX-3 DKX-9 DKX-11 DKX-15 DZ-503 DZ-603 Voltage 380/415V-3PH-50Hz 440/480v 3ph-60Hz Power(kw) 7.2 9.6 12 14.4 16.5 21 Size(mm) 850x700x1000 850x700x1380 850x700x1470 850x700x1470 1300x983x1175 1770x1100x1740 Weight(kg) 100 120 210 215 450 600 Remark One oven and one fermentation tank Two ovens and one storage cabinet, mechanical type or computer type can be optional Two ovens, one storage cabinet and one fermentation box Three ovens and one storage cabinet.mechanical type or computer type can be optional Three layers, six plates Three layers, nine plates	Certificate	ABS, LR, BV, DNVGL, NK, KR, IRS, RMRS, CCS
Warranty	12 Months unless specified otherwise	Origin	China

**CONTENTS**

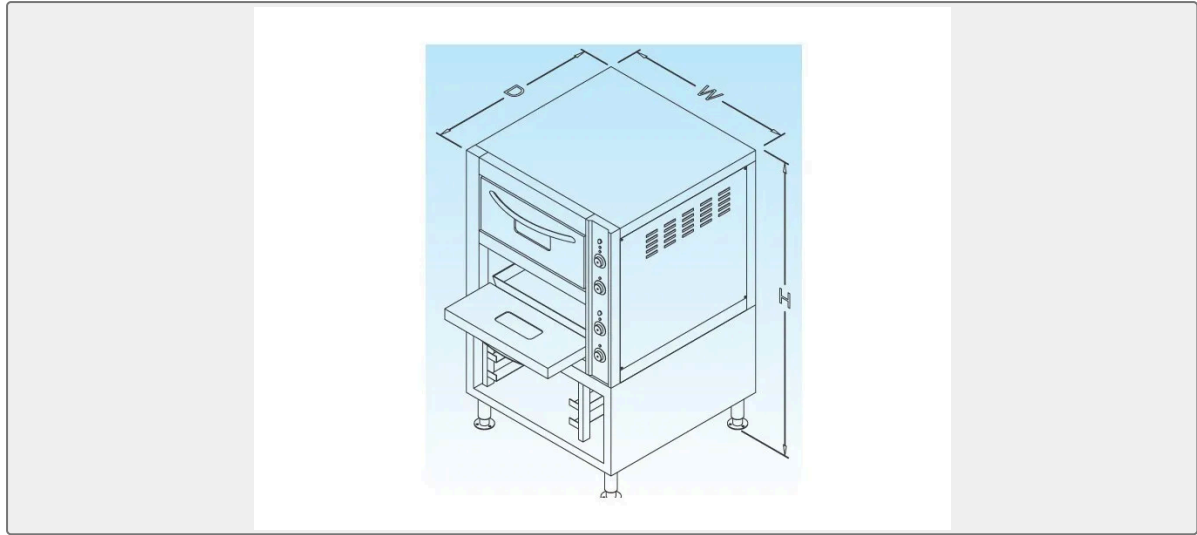
- DKX-15 Marine Electric Oven
- DKX-15 Marine Electric Oven Drawing
- DKX-15 Marine Electric Oven Parameters

## DKX-15 Marine Electric Oven

1. All stainless steel structure
2. Two sets of heaters are installed in the oven, and they are controlled independently
3. The temperature of the oven can be set arbitrarily within the range of 50°C-300°C, and the temperature is automatically constant
4. There is a matching bakeware
5. Germany EGO temperature control switch
6. There are various configuration combinations available for rotation
7. Equipped with stainless steel adjustable sole for easy installation on board
8. Optional computer panel temperature control



## DKX-15 Marine Electric Oven Drawing



## DKX-15 Marine Electric Oven Parameters

Model	DKX-3	DKX-9	DKX-11	DKX-15	DZ-503	DZ-603
Voltage	380/415V-3PH-50Hz 440/480v 3ph-60Hz					
Power(kw)	7.2	9.6	12	14.4	16.5	21
Size(mm)	850x700x1000	850x700x1380	850x700x1470	850x700x1470	1300x983x1175	1770x1100x1740
Weight(kg)	100	120	210	215	450	600
Remark	One oven and one fermentation tank	Two ovens and one storage cabinet, mechanical type or computer type can be optional	Two ovens, one storage cabinet and one fermentation box	Three ovens and one storage cabinet. mechanical type or computer type can be optional	Three layers, six plates	Three layers, nine plates