

Jinbo Marine

Marine & Offshore Equipment Datasheet

PRODUCT DATASHEET

MARINE TOOLS

DN/HN Series-Hydraulic Nut

DN/HN Series-Hydraulic Nut Model Thread
 specification Outsidediameter Outer diameterof pressure ring Inner diameterof pressure ring
 Cylinder height Ring heig...

ISO9001 Supplier

Class Certificate

Export Supply



jinbomarine.com

Key Highlights

Category	Marine Tools
Weight / Size	DN/HN Series-Hydraulic Nut Model Thread specification Outsid...
Certificate	ABS, LR, BV, DNVGL, NK, KR, IRS, RMRS, CCS

We can supply according to your requirement, drawings, class certificate needs, and delivery schedule.

Technical Specifications

Category	Marine Tools	Model / SKU	DN-HN-Series-Hydraulic-Nut
-----------------	--------------	--------------------	----------------------------

--	--	--	--

Weight / Size	DN/HN Series-Hydraulic Nut Model Thread specification Outsidediameter Outer diameterof pressure ring Inner diameterof pressure ring Cylinder height Ring height Stroke Cylinder EffectiveArea Advance Maximum CyllinderCapacity Advance Weight M A B C H H1 mm cm2 KN kg mm mm mm mm mm m HMV50 M50X1.5 114 104 50.5 38 4 5 29 290 2.7 HMV55 M55X2 120 109 55.5 38 4 5 31.5 315 2.75 HMV60 M60X2 125 115 60.5 38 5 5 33 330 2.8 HMV65 M65X2 130 121 65.5 38 5 5 36 360 3 HMV70 M70X2 135 127 70.5 38 5 5 38 380 3.2 HMV75 M75X2 140 132 75.5 38 5 5 40 400 3.4 HMV80 M80X2 146 137 80.5 38 5 5 42 420 3.7 HMV85 M85X2 150 142 85.5 38 5 5 44 440 3.75 HMV90 M90X2 156 147 90.5 38 5 5 47 470 4 HMV95 M95X2 162 153 95.5 38 5 5 49 490 4.3 HMV100 M100X2 166 158 100.5 38 6 5 51 510 4.4 HMV105 M105X2 172 163 105.5 38 6 5 53 530 4.65 HMV110 M110X2 178 169 110.5 38 6 5 56 560 4.95 HMV115 M115X2 182 174 115.5 38 6 5 58 580 5 HMV120 M120x2 188 179 120.5 38 6 5 60 600 5.25 HMV125 M125X2 192 184 125.5 38 6 5 62 620 5.35 HMV130 M130x2 198 190 130.5 38 6 5 64 640 5.65 HMV135 M135X2 204 195 135.5 38 6 5 66 660 5.9 HMV140 M140X2 208 200 140.5 38 7 5 68 680 6 HMV145 M145X2 214 206 145.5 39 7 5 73 730 6.5 HMV150 M150X2 220 211 150.5 39 7 5 75 750 6.6 HMV155 M155X3 226 218 155.5 39 7 5 81 810 6.95 HMV160 M160X3 232 224 160.5 40 7 6 86 860 7.6 HMV165 M165X3 238 229 165.5 40 7 6 89 890 7.9 HMV170 M170X3 244 235 170.5 41 7 6 94 940 8.4 HMV180 M180X3 256 247 180.5 41 7 6 103 1030 9.15 HMV190 M190X3 270 259 191 42 8 7 115 1150 10.5 HMV200	Certificate	ABS, LR, BV, DNVGL, NK, KR, IRS, RMRS, CCS
---------------	---	-------------	---

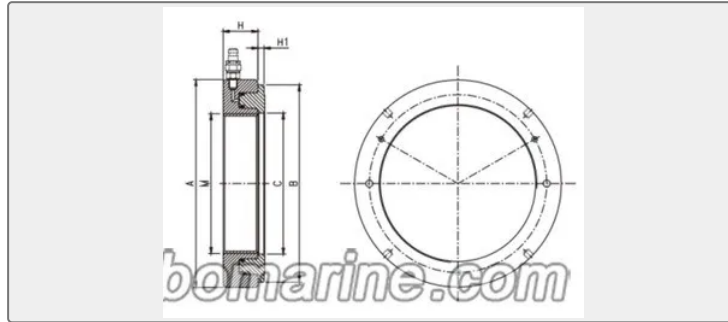
M200X3 282 271 201 43 8 8 125
 1250 11.5 HVM205 Tr205X4 288
 276 207 43 8 8 128 1280 12
 HVM210 Tr210x4 294 282 212 44
 8 9 134 1340 12.5 HVM215
 Tr215X4 300 287 217 44 8 9 137
 1370 13 HVM220 Tr220X4 306
 293 222 44 8 9 144 1440 13.5
 HVM225 Tr225X4 312 300 227 45
 8 9 152 1520 14.5 HVM230
 Tr230X4 318 305 232 45 8 9 155
 1550 15 HVM235 Tr235X4 326
 311 235 46 8 10 162 1620 16
 HVM240 Tr240X4 330 316 242 46
 9 10 165 1650 16.5 HVM250
 Tr250X4 342 329 252 46 9 10 176
 1760 17.5 HVM260 Tr260X4 356
 341 262 47 9 11 188 1880 19.5
 HVM270 Tr270X4 368 352 272 48
 9 12 198 1980 20.5 HVM280
 Tr280X4 380 363 282 49 9 12 211
 2110 22 Model Thread
 specification Outsidediameter
 Outer diameterof pressure ring
 Inner diameterof pressure ring
 Cylinder height Ring height Stroke
 Cylinder EffectiveArea Advance
 Maximum CyllinderCapacity
 Advance Weight M A B C H H1
 mm cm² KN kg mm mm mm mm
 mm m HVM290 Tr290X4 390 375
 292 49 9 13 224 2240 22.5
 HVM300 Tr300x4 404 386 302 51
 10 14 236 2360 25.5 HVM310
 Tr310X5 416 397 312 52 10 14
 249 2490 27 HVM320 Tr320X5
 428 409 322 53 10 14 263 2630
 29.5 HVM330 Tr330X5 438 419
 332 53 10 14 270 2700 30
 HVM340 Tr340X5 450 430 342 54
 10 14 284 2840 31.5 HVM345
 Tr345X5 456 436 347 54 10 14
 294 2940 32.5 HVM350 Tr350X5
 464 442 352 56 10 14 299 2990
 35 HVM360 Tr360X5 472 455 362
 56 10 15 313 3130 35.5 HVM365
 Tr365X5 482 460 367 57 11 15
 317 3170 38.5 HVM370 Tr370X5
 486 466 372 57 11 16 328 3280
 39 HVM380 Tr380X5 498 476 382
 58 11 16 335 3350 40.5 HVM385
 Tr385X5 504 483 387 58 11 16

347 3470 41 HVM400 Tr400X5
522 499 402 60 11 17 367 3670
45.5 HVM410 Tr410X5 534 510
412 61 11 17 383 3830 48
HVM420 Tr420X5 546 522 422 61
11 17 400 4000 50 HVM430
Tr430X5 556 532 432 62 11 17
408 4080 52.5 HVM440 Tr440X5
566 543 442 62 12 17 425 4250
54 HVM450 Tr450X5 580 554 457
64 12 17 441 4410 57.5 HVM460
Tr460X5 590 565 462 64 12 17
451 4510 60 HVM470 Tr470X5
602 576 472 65 12 18 469 4690
62 HVM480 Tr480X5 612 587 482
65 12 19 486 4860 63 HVM490
Tr490X5 624 597 492 66 12 19
495 4950 66 HVM500 Tr500X5
636 609 502 67 12 19 515 5150
70 HVM510 Tr510X6 648 624 512
68 12 20 533 5330 74 HVM520
Tr520X6 658 634 522 68 13 20
543 5430 75 HVM530 Tr530X6
670 645 532 69 13 21 562 5620
79 HVM540 Tr540X6 682 657 542
69 13 21 582 5820 81 HVM550
Tr550X6 693 667 552 70 13 21
592 5920 84 HVM560 Tr560X6
704 678 562 71 13 22 612 6120
88 HVM570 Tr570X6 716 689 572
72 13 23 632 6320 91 HVM580
Tr580X6 726 699 582 72 13 23
642 6420 94 HVM600 Tr600X6
748 721 602 73 13 23 673 6730
100 HVM630 Tr630X6 782 754
632 74 14 23 729 7290 110
HVM650 Tr650X6 804 775 652 75
14 23 762 7620 115 HVM670
Tr670X6 826 796 672 76 14 24
795 7950 120 HVM690 Tr690X6
848 819 692 77 14 25 842 8420
127 HVM710 Tr710X7 870 840
712 78 15 25 877 8770 135
HVM750 Tr750X7 912 883 752 79
15 25 952 9520 146 HVM800
Tr800X7 965 936 802 80 16 25
1039 10390 161 HVM850 Tr850X7
1020 990 857 83 16 26 1146
11460 181 HVM900 Tr900x7 1075
1043 902 86 17 30 1241 12410
205 HVM950 Tr950X8 1126 1097
952 86 17 30 1357 13570 218

	HMV1000 Tr1000X8 1180 1150 1002 88 17 34 1458 14580 239		
Warranty	12 Months unless specified otherwise	Origin	China

China DN/HN Series-Hydraulic Nut:

DN/HN Series-Hydraulic Nut



Model	Thread specification	Outside diameter	Outer diameter of pressure ring	Inner diameter of pressure ring	Cylinder height	Ring height	Stroke	Cylinder Effective Area Advance	Maximum Cylinder Capacity Advance	Weight
	M	A	B	C	H	H1	mm	cm2	KN	kg
	mm	mm	mm	mm	mm	m				
HMV50	M50X1.5	114	104	50.5	38	4	5	29	290	2.7
HMV55	M55X2	120	109	55.5	38	4	5	31.5	315	2.75
HMV60	M60X2	125	115	60.5	38	5	5	33	330	2.8
HMV65	M65X2	130	121	65.5	38	5	5	36	360	3
HMV70	M70X2	135	127	70.5	38	5	5	38	380	3.2
HMV75	M75X2	140	132	75.5	38	5	5	40	400	3.4
HMV80	M80X2	146	137	80.5	38	5	5	42	420	3.7
HMV85	M85X2	150	142	85.5	38	5	5	44	440	3.75
HMV90	M90X2	156	147	90.5	38	5	5	47	470	4
HMV95	M95X2	162	153	95.5	38	5	5	49	490	4.3
HMV100	M100X2	166	158	100.5	38	6	5	51	510	4.4
HMV105	M105X2	172	163	105.5	38	6	5	53	530	4.65

HMV110	M110X2	178	169	110.5	38	6	5	56	560	4.95
HMV115	M115X2	182	174	115.5	38	6	5	58	580	5
HMV120	M120x2	188	179	120.5	38	6	5	60	600	5.25
HMV125	M125X2	192	184	125.5	38	6	5	62	620	5.35
HMV130	M130x2	198	190	130.5	38	6	5	64	640	5.65
HMV135	M135X2	204	195	135.5	38	6	5	66	660	5.9
HMV140	M140X2	208	200	140.5	38	7	5	68	680	6
HMV145	M145X2	214	206	145.5	39	7	5	73	730	6.5
HMV150	M150X2	220	211	150.5	39	7	5	75	750	6.6
HMV155	M155X3	226	218	155.5	39	7	5	81	810	6.95
HMV160	M160X3	232	224	160.5	40	7	6	86	860	7.6
HMV165	M165X3	238	229	165.5	40	7	6	89	890	7.9
HMV170	M170X3	244	235	170.5	41	7	6	94	940	8.4
HMV180	M180X3	256	247	180.5	41	7	6	103	1030	9.15
HMV190	M190X3	270	259	191	42	8	7	115	1150	10.5
HMV200	M200X3	282	271	201	43	8	8	125	1250	11.5
HMV205	Tr205X4	288	276	207	43	8	8	128	1280	12
HMV210	Tr210x4	294	282	212	44	8	9	134	1340	12.5
HMV215	Tr215X4	300	287	217	44	8	9	137	1370	13
HMV220	Tr220X4	306	293	222	44	8	9	144	1440	13.5
HMV225	Tr225X4	312	300	227	45	8	9	152	1520	14.5

HMV230	Tr230X4	318	305	232	45	8	9	155	1550	15
HMV235	Tr235X4	326	311	235	46	8	10	162	1620	16
HMV240	Tr240X4	330	316	242	46	9	10	165	1650	16.5
HMV250	Tr250X4	342	329	252	46	9	10	176	1760	17.5
HMV260	Tr260X4	356	341	262	47	9	11	188	1880	19.5
HMV270	Tr270X4	368	352	272	48	9	12	198	1980	20.5
HMV280	Tr280X4	380	363	282	49	9	12	211	2110	22

Model	Thread specification	Outside diameter	Outer diameter of pressure ring	Inner diameter of pressure ring	Cylinder height	Ring height	Stroke	Cylinder Effective Area Advance	Maximum Cylinder Capacity Advance	Weight
	M	A	B	C	H	H1				
	mm	mm	mm	mm	mm	m				
HMV290	Tr290X4	390	375	292	49	9	13	224	2240	22.5
HMV300	Tr300×4	404	386	302	51	10	14	236	2360	25.5
HMV310	Tr310X5	416	397	312	52	10	14	249	2490	27
HMV320	Tr320X5	428	409	322	53	10	14	263	2630	29.5
HMV330	Tr330X5	438	419	332	53	10	14	270	2700	30
HMV340	Tr340X5	450	430	342	54	10	14	284	2840	31.5
HMV345	Tr345X5	456	436	347	54	10	14	294	2940	32.5
HMV350	Tr350X5	464	442	352	56	10	14	299	2990	35
HMV360	Tr360X5	472	455	362	56	10	15	313	3130	35.5

HMV36 5	Tr365X 5	482	460	367	57	11	15	317	3170	38.5
HMV37 0	Tr370X 5	486	466	372	57	11	16	328	3280	39
HMV38 0	Tr380X 5	498	476	382	58	11	16	335	3350	40.5
HMV38 5	Tr385X 5	504	483	387	58	11	16	347	3470	41
HMV40 0	Tr400X 5	522	499	402	60	11	17	367	3670	45.5
HMV41 0	Tr410X 5	534	510	412	61	11	17	383	3830	48
HMV42 0	Tr420X 5	546	522	422	61	11	17	400	4000	50
HMV43 0	Tr430X 5	556	532	432	62	11	17	408	4080	52.5
HMV44 0	Tr440X 5	566	543	442	62	12	17	425	4250	54
HMV45 0	Tr450X 5	580	554	457	64	12	17	441	4410	57.5
HMV46 0	Tr460X 5	590	565	462	64	12	17	451	4510	60
HMV47 0	Tr470X 5	602	576	472	65	12	18	469	4690	62
HMV48 0	Tr480X 5	612	587	482	65	12	19	486	4860	63
HMV49 0	Tr490X 5	624	597	492	66	12	19	495	4950	66
HMV50 0	Tr500X 5	636	609	502	67	12	19	515	5150	70
HMV51 0	Tr510X 6	648	624	512	68	12	20	533	5330	74
HMV52 0	Tr520X 6	658	634	522	68	13	20	543	5430	75
HMV53 0	Tr530X 6	670	645	532	69	13	21	562	5620	79
HMV54 0	Tr540X 6	682	657	542	69	13	21	582	5820	81
HMV55 0	Tr550X 6	693	667	552	70	13	21	592	5920	84
HMV56 0	Tr560X 6	704	678	562	71	13	22	612	6120	88

HMV570	Tr570X6	716	689	572	72	13	23	632	6320	91
HMV580	Tr580X6	726	699	582	72	13	23	642	6420	94
HMV600	Tr600X6	748	721	602	73	13	23	673	6730	100
HMV630	Tr630X6	782	754	632	74	14	23	729	7290	110
HMV650	Tr650X6	804	775	652	75	14	23	762	7620	115
HMV670	Tr670X6	826	796	672	76	14	24	795	7950	120
HMV690	Tr690X6	848	819	692	77	14	25	842	8420	127
HMV710	Tr710X7	870	840	712	78	15	25	877	8770	135
HMV750	Tr750X7	912	883	752	79	15	25	952	9520	146
HMV800	Tr800X7	965	936	802	80	16	25	1039	10390	161
HMV850	Tr850X7	1020	990	857	83	16	26	1146	11460	181
HMV900	Tr900x7	1075	1043	902	86	17	30	1241	12410	205
HMV950	Tr950X8	1126	1097	952	86	17	30	1357	13570	218
HMV1000	Tr1000X8	1180	1150	1002	88	17	34	1458	14580	239