

Jinbo Marine

Marine & Offshore Equipment Datasheet

PRODUCT DATASHEET

MARINE KITCHEN GALLEY


DQM30A Marine Ice Maker

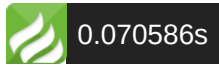
DQM30A Marine Ice Maker 1. Use efficient compressor 2. Use environmentally friendly refrigerant 3. Large ice storage capacity in the ice tank 4. Push-up ice slot cover, effectively saving space 5. The design of...

ISO9001 Supplier

Class Certificate

Export Supply

	<h3>Key Highlights</h3>	
	Category	Marine Kitchen Galley
	Standard	EN
	Material	SS
	Weight / Size	Equipped with stainless steel adjustable feet for easy installation on b...
Certificate	ABS, LR, BV, DNVGL, NK, KR, IRS, RMRS, CCS	
<p>We can supply according to your requirement, drawings, class certificate needs, and delivery schedule.</p>		



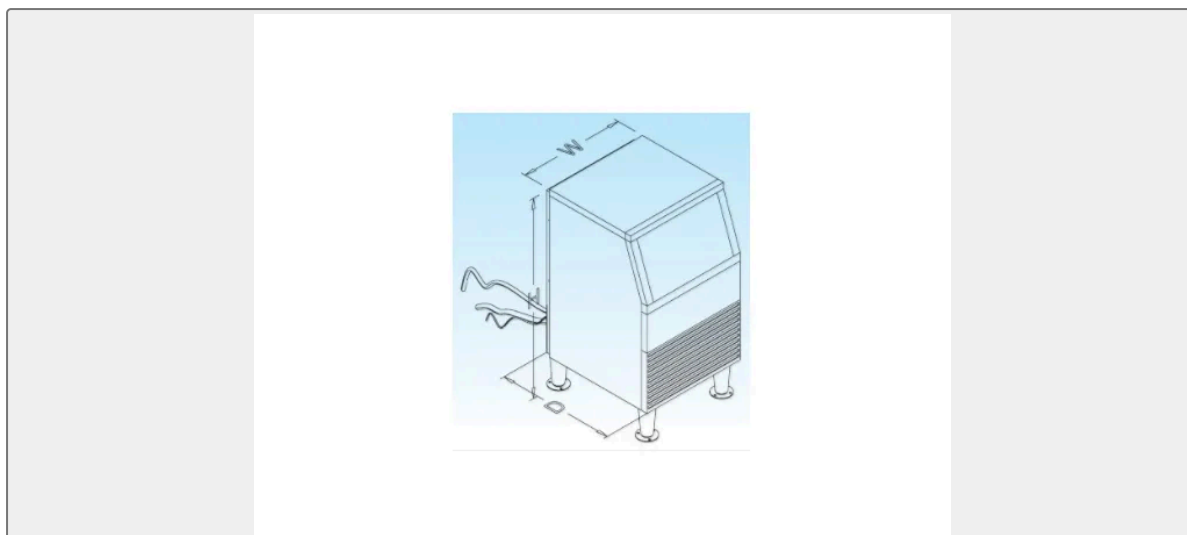
Technical Specifications			
Category	Marine Kitchen Galley	Model / SKU	DQM30A-Marine-Ice-Maker
Standard	EN	Material	SS
Weight / Size	Equipped with stainless steel adjustable feet for easy installation on board DQM30A Marine Ice Maker Drawing DQM30A Marine Ice Maker Parameters Model DQM20A DQM30A DQM45A DQM60A DQM90A Production 20kg/24h 30kg/24h 45kg/24h 60kg/24h 90kg/24h Voltage 220V-1PH-50Hz/60Hz Power(kw) 0.248 0.438 0.429 0.413 0.495 Size(mm) 380x560x900 500x570x910 500x570x910 660x710x980 660x710x980 Weight(kg) 45 56 58 75 80	Certificate	ABS, LR, BV, DNVGL, NK, KR, IRS, RMRS, CCS
Warranty	12 Months unless specified otherwise	Origin	China

CONTENTS	
<ul style="list-style-type: none"> ■ DQM30A Marine Ice Maker ■ DQM30A Marine Ice Maker Parameters 	<ul style="list-style-type: none"> ■ DQM30A Marine Ice Maker Drawing

DQM30A Marine Ice Maker

1. Use efficient compressor
2. Use environmentally friendly refrigerant
3. Large ice storage capacity in the ice tank
4. Push-up ice slot cover, effectively saving space
5. The design of airflow before going forward, high space utilization
6. Removable filter design, easy to clean
7. The unique built-in ice shovel suspension device, easy to take and use the ice shovel, more sanitary
8. Equipped with stainless steel adjustable feet for easy installation on board

DQM30A Marine Ice Maker Drawing



DQM30A Marine Ice Maker Parameters

Model	DQM20A	DQM30A	DQM45A	DQM60A	DQM90A
Production	20kg/24h	30kg/24h	45kg/24h	60kg/24h	90kg/24h
Voltage	220V-1PH-50Hz/60Hz				
Power(kw)	0.248	0.438	0.429	0.413	0.495
Size(mm)	380x560x900	500x570x910	500x570x910	660x710x980	660x710x980
Weight(kg)	45	56	58	75	80