

# Jinbo Marine

Marine &amp; Offshore Equipment Datasheet

PRODUCT DATASHEET

## HOT WATER TANK

## DRG Series Electric Heating Hot Water Tank

Marine hot water tank

ISO9001 Supplier

Class Certificate

Export Supply



### Key Highlights

Category	Hot Water Tank
Standard	EN
Material	Carbon Steel
Weight / Size	(°C) 65 Hot-water capacity (kg/h) 180 360 540 720 900 Electric Heating P...
Certificate	CCS,EC,GL and BV certificate.

We can supply according to your requirement, drawings, class certificate needs, and delivery schedule.

### Technical Specifications

Category	Hot Water Tank	Model / SKU	DRG-Series-Electric-Heating-Hot-Water-Tank
Standard	EN	Material	Carbon Steel
Weight / Size	(°C) 65 Hot-water capacity (kg/h) 180 360 540 720 900 Electric Heating Power (kw) 12 24 36 48 60 The laying of outer surface of insulation layer thickness (mm) 40 Outsourcing galvanized steel sheet thickness (mm) 0.7	Surface	galvanized
Certificate	CCS,EC,GL and BV certificate.	Warranty	12 Months unless specified otherwise
Origin	China		

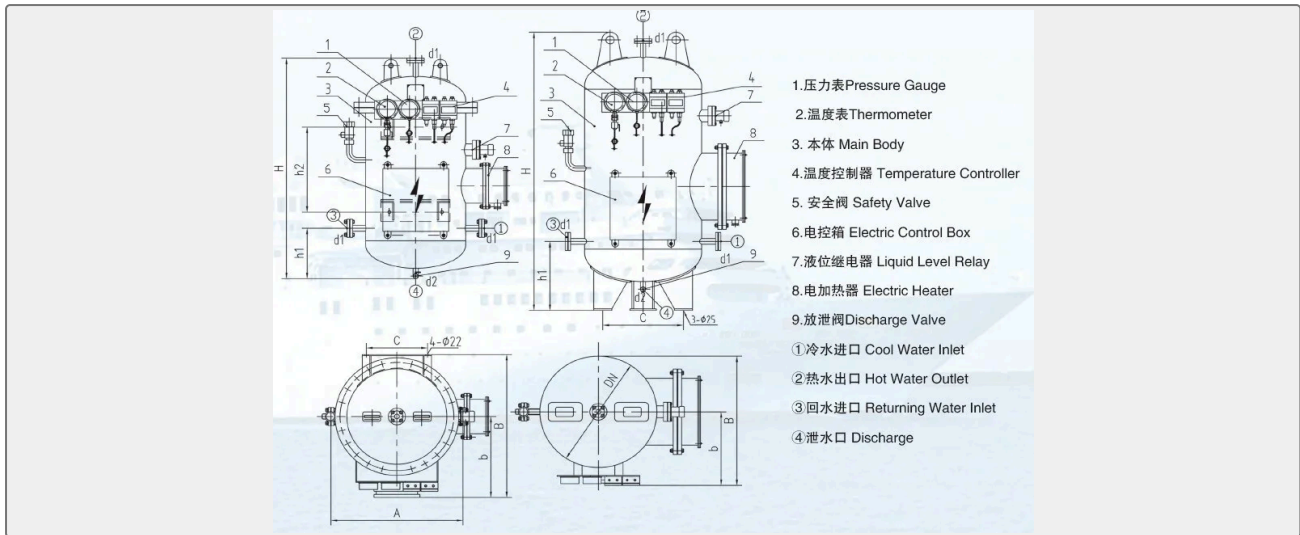
#### CONTENTS

- China DRG Series Electric Heating Hot Water Tank:

- Specification:



## China DRG Series Electric Heating Hot Water Tank:



This series tank is suitable for heating water on the ship or platform, heated fresh water for crew use.

This series hot water tank can be combined to use with fresh water pressure tank on board, namely use fresh water to renew the stock of hot water tank, and then heated by electric for usage of entire vessel.

Material: Normal steel, stainless steel 304, stainless steel 316.

### Specification:

Model	DRG-0.12	DRG-0.2	DRG-0.3	DRG-0.5	DRG-1
Capacity(m <sup>3</sup> )	0.12	0.2	0.3	0.5	1
Working Pressure (MPa)	0.4				
Design Pressure (MPa)	0.44				
Testing Pressure (MPa)	0.66				
Safety Valve Open Pressure (MPa)	0.42				
Water Inlet Temp. (°C)	15				
Water Outlet Temp. (°C)	65				
Hot-water capacity (kg/h)	180	360	540	720	900
Electric Heating Power (kw)	12	24	36	48	60
The laying of outer surface of insulation layer thickness (mm)	40				
Outsourcing galvanized steel sheet thickness (mm)	0.7				