

Jinbo Marine

Marine & Offshore Equipment Datasheet

PRODUCT DATASHEET

MARINE NAVIGATION EQUIPMENT

DS228 8 Inch TFT Dual-Channel Echo Sounder

ISO9001 Supplier

Class Certificate

Export Supply

DS228 8 Inch TFT Dual-Channel Echo Sounder Display: 8 inch TFT 800x600 pixels Power Supply:DC24V/AC100 ~ 240V Power Output: 300 ~ 600W RMS Frequency: CH1 : 200kHz CH2 : 200kHz...



Key Highlights

Category	Marine Navigation Equipment
Standard	EN
Certificate	ABS, LR, BV, DNVGL, NK, KR, IRS, RMRS, CCS

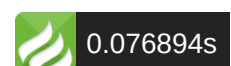
We can supply according to your requirement, drawings, class certificate needs, and delivery schedule.

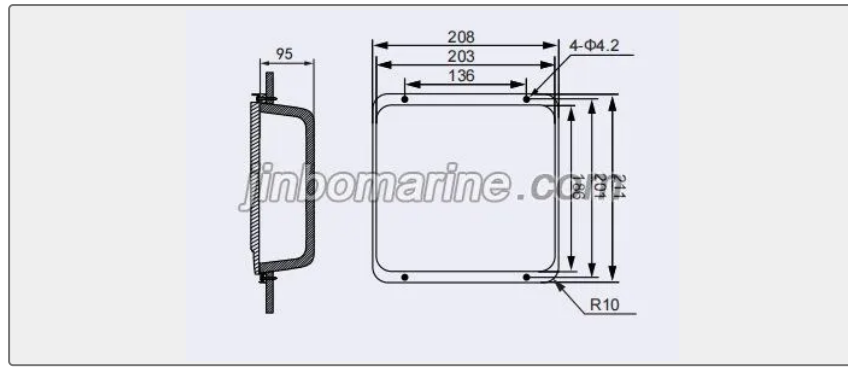
Technical Specifications

Category	Marine Navigation Equipment	Model / SKU	DS228-8-Inch-TFT-Dual-channel-Echo-Sounder
Standard	EN	Certificate	ABS, LR, BV, DNVGL, NK, KR, IRS, RMRS, CCS
Warranty	12 Months unless specified otherwise	Origin	China

China DS228 8 Inch TFT Dual-Channel Echo Sounder:

DS228 8 Inch TFT Dual-Channel Echo Sounder





Display: 8 inch TFT 800x600 pixels

Power Supply:DC24V/AC100 ~ 240V

Power Output: 300 ~ 600W RMS

Frequency: CH1 : 200kHz

CH2 : 200kHz/50kHz

Pulse Width: 0.03 ~ 2ms

Depth Range : 50kHz : 2 ~ 200m

200kHz:0.3 ~ 200m

Resolution : Depth ranger ≥ 0.5 mm per meter; Shallow water ranger ≥ 5.0 mm per meter

Channel: 1/2 channels display available

Depth Storage: 48h Depth storage

Data Input: GPS(GGA)

Data Output: NMEA0183(DPT/DBT)

Temperature: -15 ~ +55°C

Display: IP23

Transducer: IP68