

Jinbo Marine

Marine & Offshore Equipment Datasheet

PRODUCT DATASHEET

STERN TUBE BEARING

DTZ Large Pressure Intermediate Bearing

ISO9001 Supplier

Class Certificate

Export Supply

Technical Specification This kind of large pressure intermediate bearing is suitable for vessels whose shafting pressure is (0.6MPa) larger than normative pressure and that need self-aligning. ...



Key Highlights

| | |
|-------------|--|
| Category | Stern Tube Bearing |
| Certificate | CCS, BV, ABS, GL, LR, DNV, NK, RINA, KR, IRS |

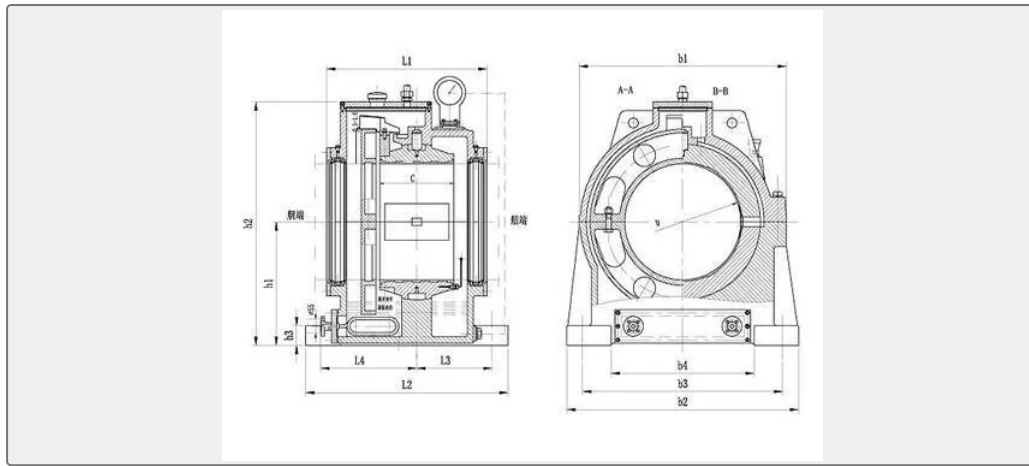
We can supply according to your requirement, drawings, class certificate needs, and delivery schedule.

Technical Specifications

| | | | |
|-------------|--|-------------|---|
| Category | Stern Tube Bearing | Model / SKU | DTZ-Large-Pressure-Intermediate-Bearing |
| Certificate | CCS, BV, ABS, GL, LR, DNV, NK, RINA, KR, IRS | Warranty | 12 Months unless specified otherwise |
| Origin | China | | |

Technical Specification

This kind of large pressure intermediate bearing is suitable for vessels whose shafting pressure is (0.6MPa) larger than normative pressure and that need self-aligning.



| D | Joint Bolts | b1 | b2 | b3 | b4 | c | h1 | h2 | h3 | L1 | L2 | L3 | L4 |
|---------|-------------|------|------|------|-----|-----|-----|------|-----|-----|-----|-----|-----|
| 120~160 | 4×M20 | 320 | 310 | 270 | 160 | 86 | 185 | 360 | 32 | 306 | 320 | 155 | 115 |
| 161~200 | 4×M20 | 380 | 370 | 320 | 190 | 105 | 220 | 420 | 32 | 330 | 350 | 170 | 130 |
| 201~240 | 4×M24 | 450 | 440 | 380 | 230 | 126 | 270 | 500 | 35 | 354 | 390 | 185 | 145 |
| 241~280 | 4×M30 | 514 | 506 | 430 | 260 | 150 | 300 | 560 | 38 | 46 | 450 | 205 | 175 |
| 281~330 | 4×M30 | 604 | 596 | 520 | 320 | 10 | 370 | 645 | 43 | 436 | 480 | 220 | 190 |
| 331~390 | 4×M36 | 684 | 664 | 580 | 360 | 200 | 380 | 730 | 48 | 480 | 540 | 245 | 215 |
| 391~450 | 4×M36 | 770 | 760 | 670 | 440 | 230 | 425 | 820 | 93 | 535 | 585 | 270 | 235 |
| 451~510 | 4×M42 | 860 | 860 | 760 | 480 | 260 | 480 | 920 | 106 | 620 | 700 | 320 | 280 |
| 511~570 | 4×M42 | 960 | 910 | 810 | 510 | 290 | 530 | 1020 | 120 | 670 | 740 | 340 | 300 |
| 571~650 | 4×M48 | 1080 | 1030 | 910 | 570 | 330 | 610 | 1150 | 147 | 770 | 850 | 385 | 345 |
| 651~740 | 4×M48 | 1190 | 1170 | 1020 | 660 | 380 | 720 | 1330 | 177 | 840 | 930 | 425 | 375 |