

Jinbo Marine

Marine & Offshore Equipment Datasheet

PRODUCT DATASHEET

OTHER FIRE-FIGHTING EQUIPMENT

DX-H35 Horizontal Magnetic Drilling Machine

ISO9001 Supplier

Class Certificate

Export Supply

Horizontal structure, to meet the narrow space operation. Small size and flexible operation.
High power and drilling efficiency. Rated Input Power:1100w Magnetic Suction: 9000n ...



Key Highlights

Category	Other Fire-Fighting Equipment
Standard	EN
Weight / Size	Small size and flexible operation.
Certificate	ABS, LR, BV, DNVGL, NK, KR, IRS, RMRS, CCS

We can supply according to your requirement, drawings, class certificate needs, and delivery schedule.

Technical Specifications

Category	Other Fire-Fighting Equipment	Model / SKU	DX-H35-Horizontal-Magnetic-Drilling-Machine
Standard	EN	Weight / Size	Small size and flexible operation.
Certificate	ABS, LR, BV, DNVGL, NK, KR, IRS, RMRS, CCS	Warranty	12 Months unless specified otherwise
Origin	China		

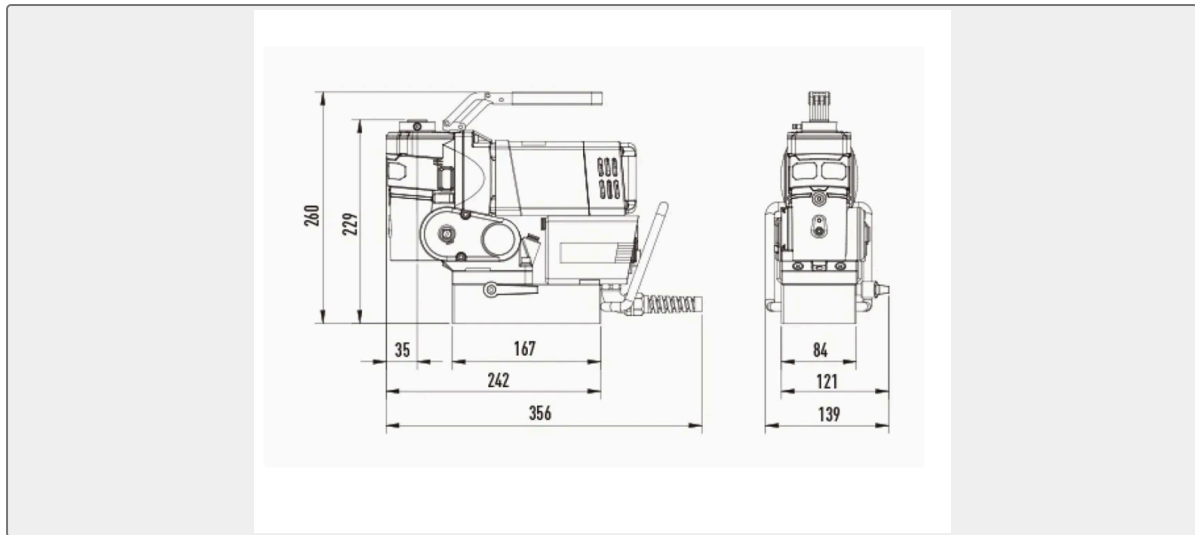
China DX-H35 Horizontal Magnetic Drilling Machine:

Horizontal structure, to meet the narrow space operation.

Small size and flexible operation.

High power and drilling efficiency.





Rated Input Power:1100w

Magnetic Suction: 9000n

Stroke: 63mm

Main Shaft Adjustable Height:

Spindle Interface Type: 19.05mm

Magnetic Base Size: 167x84x44mm

Machine Size: 356x139x260mm

The Minimum Processing Thickness: 10mm

The Cameter Range Of Annular Cutter: ≤ 35 mm

The Drilling Depth Range Of Annular Cutter: ≤ 50 mm

The Diameter Range Of Twst Drill: 13mm

Weght: 11.5kg

Rated Speed: 450rpm