

# Jinbo Marine

Marine & Offshore Equipment Datasheet

PRODUCT DATASHEET

## MARINE KITCHEN GALLEY

# DZ-18/R Marine Electric Cooker With Oven

ISO9001 Supplier

Class Certificate

Export Supply

DZ-18/R Marine Electric Cooker With Oven 1.Stainless steel material 2.The surface of the heating plate is durable, anti-corrosion and high temperature treatment. 3.Six-speed adjustable heating plate power 4.Set ...



### Key Highlights

Category	Marine Kitchen Galley
Standard	EN
Material	SS
Weight / Size	3.Six-speed adjustable heating plate power 4.Set up anti-wave handrails ...
Certificate	ABS, LR, BV, DNVGL, NK, KR, IRS, RMRS, CCS

We can supply according to your requirement, drawings, class certificate needs, and delivery schedule.

Technical Specifications			
<b>Category</b>	Marine Kitchen Galley	<b>Model / SKU</b>	DZ-18-R-Marine-Electric-Cooker-With-Oven
<b>Standard</b>	EN	<b>Material</b>	SS
<b>Weight / Size</b>	<p>3.Six-speed adjustable heating plate power</p> <p>4.Set up anti-wave handrails and anti-wave frames</p> <p>5.Equipped with stainless steel adjustable feet for easy installation on board</p> <p>6.Adopt German EGO heating plate and switch</p> <p>7.Oven or locker can be set under the electric stove</p> <p>DZ-18/R Marine Electric Cooker With Oven Drawing</p> <p>DZ-18/R Marine Electric Cooker With Oven Parameters</p> <p>Model DZ-18 DZ-18/R DZ-28 DZ-28/R</p> <p>Voltage 380/415V-3PH-50Hz 440/480v 3ph-60Hz</p> <p>Heating plate power(kw) 4x4 4x4 6x4 6x4</p> <p>Oven power(kw) / 4.8 / 4.8</p> <p>Total power(kw) 16 20.8 24 28.8</p> <p>Size(mm) 800x900x850 800x900x850 1200x900x850 1200x900x850</p> <p>Weight(kg) 135 160 210 235</p>	<b>Surface</b>	<p>DZ-18/R Marine Electric Cooker With Oven</p> <p>1.Stainless steel material</p> <p>2.The surface of the heating plate is durable, anti-corrosion and high temperature treatment.</p>
<b>Certificate</b>	ABS, LR, BV, DNVGL, NK, KR, IRS, RMRS, CCS	<b>Warranty</b>	12 Months unless specified otherwise
<b>Origin</b>	China		

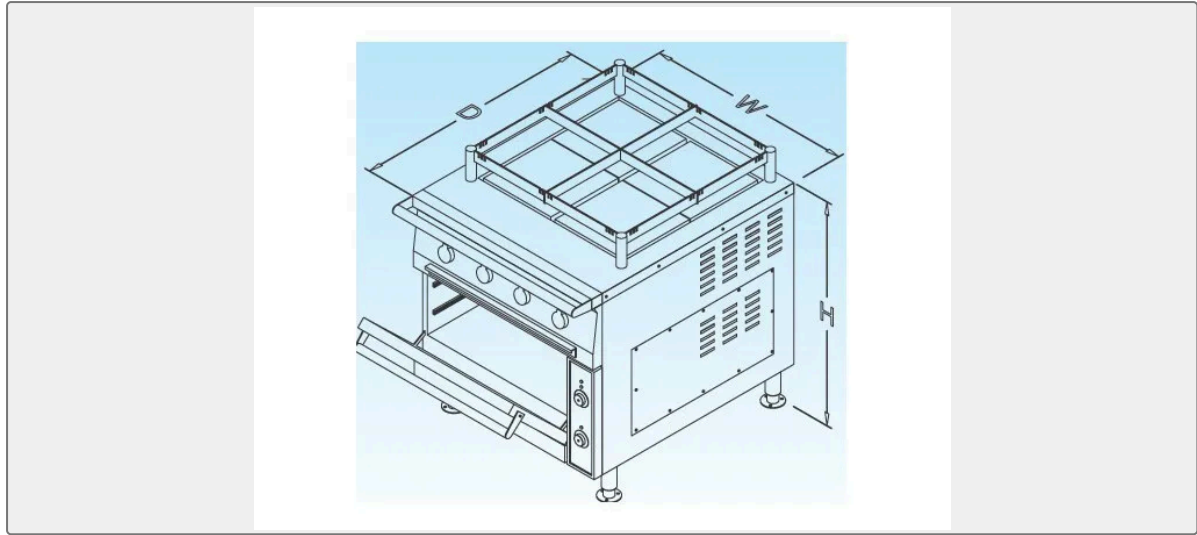
**CONTENTS**

- DZ-18/R Marine Electric Cooker With Oven
- DZ-18/R Marine Electric Cooker With Oven Drawing
- DZ-18/R Marine Electric Cooker With Oven Parameters

## DZ-18/R Marine Electric Cooker With Oven

- 1.Stainless steel material
- 2.The surface of the heating plate is durable, anti-corrosion and high temperature treatment.
- 3.Six-speed adjustable heating plate power
- 4.Set up anti-wave handrails and anti-wave frames
- 5.Equipped with stainless steel adjustable feet for easy installation on board
- 6.Adopt German EGO heating plate and switch
- 7.Oven or locker can be set under the electric stove

## DZ-18/R Marine Electric Cooker With Oven Drawing



## DZ-18/R Marine Electric Cooker With Oven Parameters

Model	DZ-18	DZ-18/R	DZ-28	DZ-28/R
Voltage	380/415V-3PH-50Hz 440/480v 3ph-60Hz			
Heating plate power(kw)	4x4	4x4	6x4	6x4
Oven power(kw)	/	4.8	/	4.8
Total power(kw)	16	20.8	24	28.8
Size(mm)	800x900x850	800x900x850	1200x900x850	1200x900x850
Weight(kg)	135	160	210	235