

# Jinbo Marine

Marine & Offshore Equipment Datasheet

PRODUCT DATASHEET

## RECIPROCATING PUMP

# DZ-500 marine motorized plunger type oily water delivery pump

ISO9001 Supplier

Class Certificate

Export Supply

Description: DZ-500 marine motorized plunger type oily water delivery pump is a single cylinder single-action horizontal reciprocating motorized plunger-type pump manufactured according to the tec...



## Key Highlights

Category	Reciprocating Pump
Standard	DIN
Weight / Size	Item Type Unit DZ-100 DZ-250 DZ-500 DZ-1000 DZ-2000 DZ-3000 DZ-4000 DZ...
Certificate	CCS

We can supply according to your requirement, drawings, class certificate needs, and delivery schedule.



**Technical Specifications**

<b>Category</b>	Reciprocating Pump	<b>Model / SKU</b>	DZ-500-marine-motorized-plunger-type-oily-water-delivery-pump
<b>Standard</b>	DIN	<b>Weight / Size</b>	Item Type Unit DZ-100 DZ-250 DZ-500 DZ-1000 DZ-2000 DZ-3000 DZ-4000 DZ-5000 Head Mpa 0.3 0.3 0.3 0.3 0.3 0.3 0.3 0.3 0.3 Delivery capacity m³/h 0.1 0.25 0.5 1 2 3 4 5 Suction lift m 6 6 6 6 6 6 6 6 6 Reciprocating times min 50 56 50 50 70 70 60 70 Stroke mm 28 42 64 64 80 90 120 120 Cylinder diameter mm 40 50 60 85 90 105 115 115 Suction and discharge diameter mm 20 25 25 40 40 50 65 65 Motor Power KW 0.12 0.18 0.25 0.37 0.75 1.1 1.5 1.5 Voltage V/HZ A.c380/50 A.c380/50 A.c380/50 A.c380/50 A.c380/50 A.c380/50 A.c380/50 A.c380/50 A.c380/50 Speed r/min 1400 1400 1400 1400 1400 1400 1400 1400 YS-H6314 YS-H6324 YS-H7114 YS-H7124 YS-H8024 Y90S-4-H Y90L-4-H Y90L-4-H Pump weight kg 15 27 27 37 47 110 140 140 Outline dimensions Length mm 293 345 405 452 467 710 800 800 Width mm 190 230 275 265 340 390 420 420 Height mm 316 360 420 435 490 490 520 520
<b>Certificate</b>	CCS	<b>Warranty</b>	12 Months unless specified otherwise
<b>Origin</b>	China		

<b>CONTENTS</b>	<ul style="list-style-type: none"> <li>■ Description:</li> <li>■ Technical data:</li> </ul>
-----------------	---

**Description:**

DZ-500 marine motorized plunger type oily water delivery pump is a single cylinder single-action horizontal reciprocating motorized plunger-type pump manufactured according to the technical standard CB/T3160-92.

Testing by the Chinese classification societies has made an inspection of it to find that all the performances and index meet the requirements of the national ship building code. The model

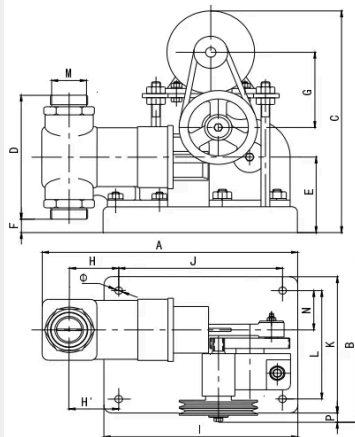


of the product has been approved.

## Technical data:

Item	Type	DZ-100	DZ-250	DZ-500	DZ-1000	DZ-2000	DZ-3000	DZ-4000	DZ-5000	
	Unit									
Head	Mpa	0.3	0.3	0.3	0.3	0.3	0.3	0.3	0.3	
Delivery capacity	m <sup>3</sup> /h	0.1	0.25	0.5	1	2	3	4	5	
Suction lift	m	6	6	6	6	6	6	6	6	
Reciprocating times	min	50	56	50	50	70	70	60	70	
Stroke	mm	28	42	64	64	80	90	120	120	
Cylinder diameter	mm	40	50	60	85	90	105	115	115	
Suction and discharge diameter	mm	20	25	25	40	40	50	65	65	
Motor	Power	KW	0.12	0.18	0.25	0.37	0.75	1.1	1.5	1.5
	Voltage	V/Hz	A.c380/50	A.c380/50	A.c380/50	A.c380/50	A.c380/50	A.c380/50	A.c380/50	A.c380/50
	Speed	r/min	1400	1400	1400	1400	1400	1400	1400	1400
	YS-H6314	YS-H6324	YS-H7114	YS-H7124	YS-H8024	Y90S-4-H	Y90L-4-H	Y90L-4-H		
Pump weight	kg	15	27	27	37	47	110	140	140	
Outline dimensions	Length	mm	293	345	405	452	467	710	800	800
	Width	mm	190	230	275	265	340	390	420	420
	Height	mm	316	360	420	435	490	490	520	520

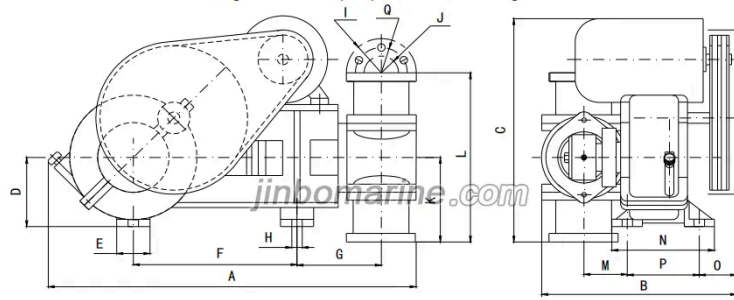
图一：DZ系列船用电动柱塞泵安装图  
Fig1 Series DZ pump installation drawing



表五：DZ系列船用电动柱塞泵安装尺寸  
Table5 Series DZ pump installation dimensions

代号Code	单位 (Unit):mm				
型号Type	DZ-100	DZ-250	DZ-500	DZ-1000	DZ-2000
A	293	345	405	452	467
B	243	230	275	265	285
C	316	360	420	435	490
D	106	142	155	222	241
E	80	100	110	125	145
F	27	29	30	15	25
G	141	132	172	170	176
H	135	55	55	70	89
H'	80	55	55	70	89
I	246	280	340	350	355
J	100	247	300	310	300
K	128	200	250	245	264
L	75	160	210	200	210
M	M32X1.5	M42X1.5	M42X1.5	M68X2	M68X2
N	12	60	60	70	76
P	27	20	-25	14	20
Φ	3-φ13	4-φ11	4-φ11	6-φ11	4-φ15
接管内径 Takeover diameter	Dg20	Dg25	Dg25	Dg40	Dg40

图二：DZ系列船用电动柱塞泵安装图  
Fig 2 Series DZ pump installation drawing



图二：DZ系列船用电动柱塞泵安装尺寸  
Table6 Series DZ pump installation dimensions

单位 (Unit) : mm

型号	代号	A	B	C	D	E	F	G	H	I	J	K	L	M	N	O	P	Q	接管内径
DZ-3000		720	380	468	140	60	320	160	4-φ17	φ135	φ60	170	340	76	190	85	150	φ10.3x6-φ15	Dg50
DZ-4000		800	420	520	160	80	380	172	4-φ17	φ155	φ68	180	360	73	200	100	160	φ12.3x6-φ15	Dg65
DZ-5000		800	420	520	160	80	380	172	4-φ17	φ155	φ68	180	360	73	200	100	160	φ12.3x6-φ15	Dg65