

Jinbo Marine

Marine & Offshore Equipment Datasheet

PRODUCT DATASHEET

MARINE KITCHEN GALLEY

DZ1H5000 Marine Long Line Dishwasher

ISO9001 Supplier

Class Certificate

Export Supply

DZ1H5000 Marine Long Line Dishwasher 1. Ultra-low rinsing water consumption, greatly saving electricity, drier and detergent consumption, reducing user costs 2. Built-in electric rinsing heating and rinsing pump, ...



Key Highlights

Category	Marine Kitchen Galley
Standard	EN
Material	SS
Weight / Size	Double spray DZ1H5000 Marine Long Line Dishwasher Drawing DZ1H5000 Marin...
Certificate	ABS, LR, BV, DNVGL, NK, KR, IRS, RMRS, CCS

We can supply according to your requirement, drawings, class certificate needs, and delivery schedule.

Technical Specifications			
Category	Marine Kitchen Galley	Model / SKU	DZ1H5000-Marine-Long-Line-Dishwasher
Standard	EN	Material	SS
Weight / Size	Double spray DZ1H5000 Marine Long Line Dishwasher Drawing DZ1H5000 Marine Long Line Dishwasher Parameters Model DZ1H3000 DZ1H4000 DZ1H5000 DZ-LSX Washing Capacity 5100 dishes/h 6400 dishes/h 6400 dishes/h 4000 dishes/h Voltage 380/415V-3PH-50Hz 440/480v 3ph-60Hz Power(kw) 53/2 55/4 65/5 25.5 Size(mm) 3150x914x1990 4450x914x1990 5250x914x1990 5100x890x1880 Weight(kg) 400 500 600 540	Certificate	ABS, LR, BV, DNVGL, NK, KR, IRS, RMRS, CCS
Warranty	12 Months unless specified otherwise	Origin	China

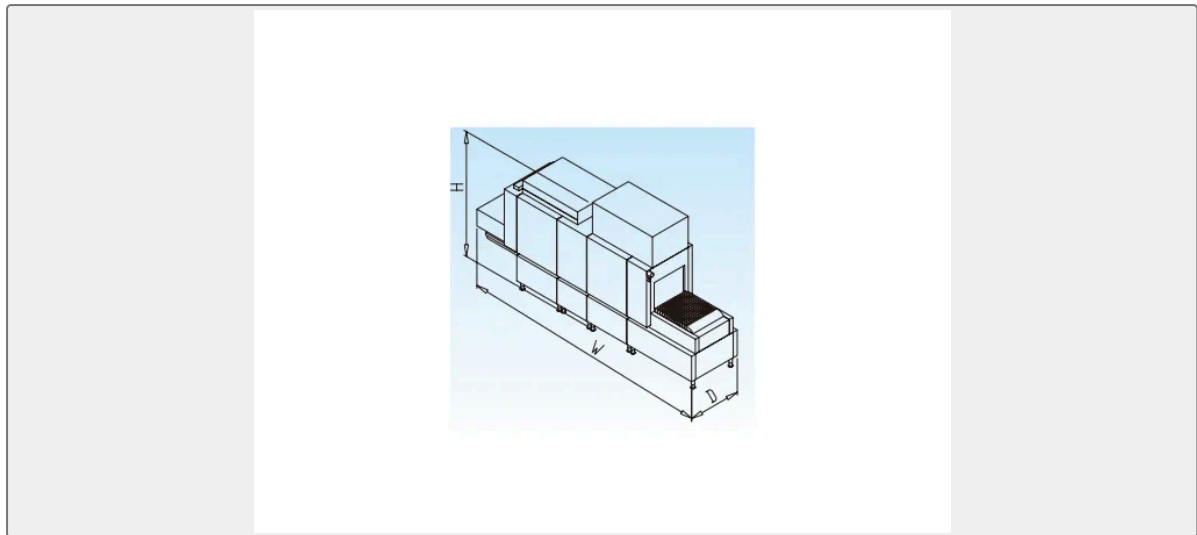
CONTENTS

- DZ1H5000 Marine Long Line Dishwasher
- DZ1H5000 Marine Long Line Dishwasher Drawing
- DZ1H5000 Marine Long Line Dishwasher Parameters

DZ1H5000 Marine Long Line Dishwasher

1. Ultra-low rinsing water consumption, greatly saving electricity, drier and detergent consumption, reducing user costs
2. Built-in electric rinsing heating and rinsing pump, and equipped with protection device to ensure the stability of water pressure
3. Washing and drying in one, high degree of automation
4. The double-walled structure of the front door has heat insulation and noise insulation, and the opening height can be adjusted arbitrarily, which is comfortable to operate and save energy.
5. The upper and lower washing arms are very convenient to disassemble and assemble, and the lock can be locked with just one click
6. Efficient washing and high-temperature drying make tableware higher hygiene standards
7. Double spray

DZ1H5000 Marine Long Line Dishwasher Drawing



DZ1H5000 Marine Long Line Dishwasher Parameters

Model	DZ1H3000	DZ1H4000	DZ1H5000	DZ-LSX
Washing Capacity	5100 dishes/h	6400 dishes/h	6400 dishes/h	4000 dishes/h
Voltage	380/415V-3PH-50Hz 440/480v 3ph-60Hz			
Power(kw)	53/2	55/4	65/5	25.5
Size(mm)	3150x914x1990	4450x914x1990	5250x914x1990	5100x890x1880
Weight(kg)	400	500	600	540