

HSM WATERTIGHT DOOR INDICATION SYSTEM

DZX85-Z Explosion-Proof Limited Switch

- ISO9001 Supplier
- Class Certificate
- Export Supply

DZX85-Z Explosion-Proof Limited Switch 1)Chapter 2 of Part 4 of the "Steel Ship Classification Rules" of the China Classification Society; 2)IMO Resolution A.1021(26) Code on Alerts and Indicators, 2009 ...

	<div style="background-color: #1a3d4d; color: white; padding: 5px;">Key Highlights</div> <table style="width: 100%; border-collapse: collapse;"> <tr> <td style="width: 20%;">Category</td> <td>HSM Watertight Door Indication System</td> </tr> <tr> <td>Material</td> <td>DZX85-Z Explosion-Proof Limited Switch 1)Chapter 2 of Part 4 of the "Ste...</td> </tr> <tr> <td>Certificate</td> <td>ABS, LR, BV, DNVGL, NK, KR, IRS, RMRS, CCS</td> </tr> </table> <div style="border: 1px solid #ccc; padding: 5px; margin-top: 10px;"> <p>We can supply according to your requirement, drawings, class certificate needs, and delivery schedule.</p> </div>	Category	HSM Watertight Door Indication System	Material	DZX85-Z Explosion-Proof Limited Switch 1)Chapter 2 of Part 4 of the "Ste...	Certificate	ABS, LR, BV, DNVGL, NK, KR, IRS, RMRS, CCS
Category	HSM Watertight Door Indication System						
Material	DZX85-Z Explosion-Proof Limited Switch 1)Chapter 2 of Part 4 of the "Ste...						
Certificate	ABS, LR, BV, DNVGL, NK, KR, IRS, RMRS, CCS						

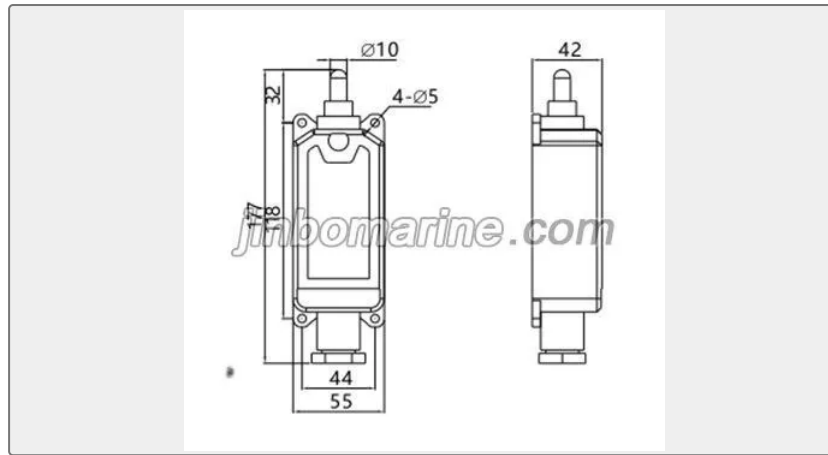
Technical Specifications			
Category	HSM Watertight Door Indication System	Model / SKU	DZX85-Z-Explosion-Proof-Limited-Switch
Material	DZX85-Z Explosion-Proof Limited Switch 1)Chapter 2 of Part 4 of the "Steel Ship Classification Rules" of the China Classification Society;	Certificate	ABS, LR, BV, DNVGL, NK, KR, IRS, RMRS, CCS
Warranty	12 Months unless specified otherwise	Origin	China

China DZX85-Z Explosion-Proof Limited Switch:

DZX85-Z Explosion-Proof Limited Switch

- 1)Chapter 2 of Part 4 of the "Steel Ship Classification Rules" of the China Classification Society;
- 2)IMO Resolution A.1021(26) Code on Alerts and Indicators, 2009





Colour: White RAL7035

Shell material: Aluminum

Cable gland: PG13.5

Ex rating: Exed II CT6

IP rating: IP66