

# Jinbo Marine

Marine &amp; Offshore Equipment Datasheet

PRODUCT DATASHEET

## MARINE CHOCK

## Deck Mounted Chock NS2588

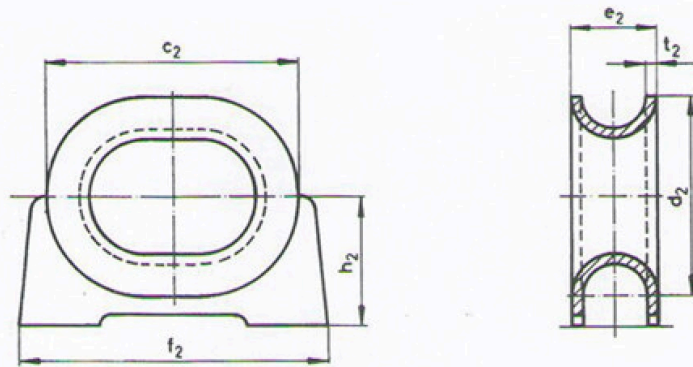
Material: Type A welded: steel NS12 132(R St42-2) Type B cast:cast steel NS 11 640(Sst 400)

Quality of manufacture: Surfaces coming into contact with the mooring the line shall be smooth. Furthermor...

ISO9001 Supplier

Class Certificate

Export Supply



### Key Highlights

Category	Marine Chock
Standard	JIS
Material	Cast Steel
Weight / Size	NS2588 chock Nominal size c2 d2 e2 f2 h2 t2 Mass(kg) 200*150 338 288 138...
Certificate	ABS , BV, DNV , LR , GL , CCS, RINA , mill certificate etc.

We can supply according to your requirement, drawings, class certificate needs, and delivery schedule.

### Technical Specifications

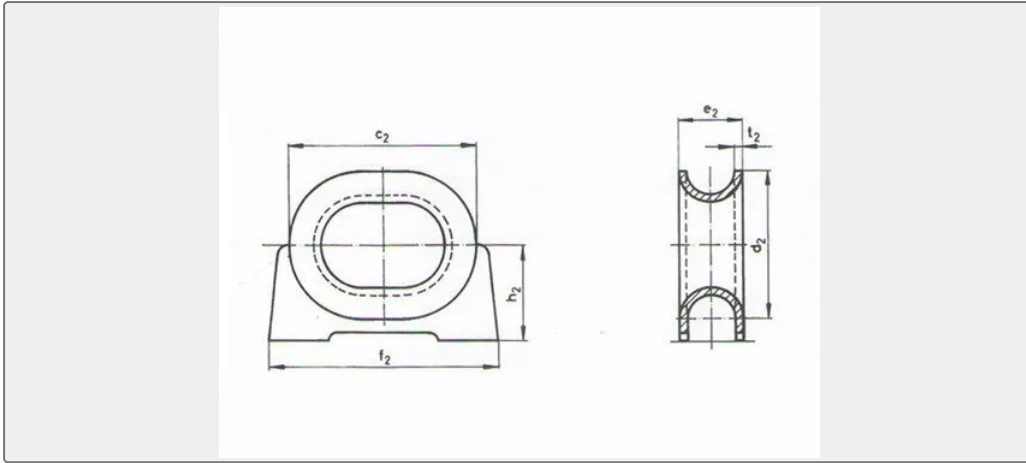
Category	Marine Chock	Model / SKU	Deck-Mounted-Chock-NS2588
Standard	JIS	Material	Cast Steel
Weight / Size	NS2588 chock Nominal size c2 d2 e2 f2 h2 t2 Mass(kg) 200*150 338 288 138 438 189 20 28.5 300*200 458 358 158 568 234 20 63.3 400*250 600 450 200 740 300 25 135 Also we can supply other kinds of Chocks as below.	Surface	painted
Certificate	ABS , BV, DNV , LR , GL , CCS, RINA , mill certificate etc.	Warranty	12 Months unless specified otherwise
Origin	China		

#### CONTENTS

- China Deck Mounted Chock NS2588:

- Also we can supply other kinds of Chocks as below.

## China Deck Mounted Chock NS2588:



### Material:

Type A welded: steel NS12 132(R St42-2)

Type B cast: cast steel NS 11 640(Sst 400)

### Quality of manufacture:

Surfaces coming into contact with the mooring the line shall be smooth. Furthermore burrs or sharp edges shall not occur.

### Surface treatment:

The chocks shall be cleaned to Sa2.5 in accordance with Swedish standard SIS 05 59 00 and painted with an anticorrosive primer.

NS2588 chock							
Nominal size	c2	d2	e2	f2	h2	t2	Mass(kg)
200*150	338	288	138	438	189	20	28.5
300*200	458	358	158	568	234	20	63.3
400*250	600	450	200	740	300	25	135

## Also we can supply other kinds of Chocks as below.

Deck mounted Panama chock JIS F2017-1982 type AC

Bulwark mounted Panama Chock JIS F2017-1982 Type BC

Deck Mounted Closed Chock JIS F2005-1975

Bulwark mounted mooring chock JIS F 2007-1976 type A

Bulwark Mounted Chock DIN81915-1998 Type A

Bulwark Mounted Chock DIN81915-1998 Type B

Deck mounted Chock DIN81915-1998 type C

Deck mounted Chock DIN81915-1998 type D

Deck mounted Chock DIN81915-1998 type E

Deck Mounted Chock EU Type

Bulwark Mounted Chock EU Type

Single Point Mooring Pipe JIS F 2030-1978 type A

Single Point Mooring Pipe JIS F 2030-1978 type B

Deck mounted chock type A NS2587

Deck mounted chock type B NS2587

Deck mounted chock type A NS2588

Deck mounted chock type B NS2588

Deck mounted chock type A NS2589

Deck mounted chock type B NS2589

Deck mounted chock type A NS2590

Deck mounted chock type B NS2590

Mooring chock CB34 -76 TYPE A

Mooring chock CB34 -76 TYPE C

Open chock JISF 2006 TYPE FC