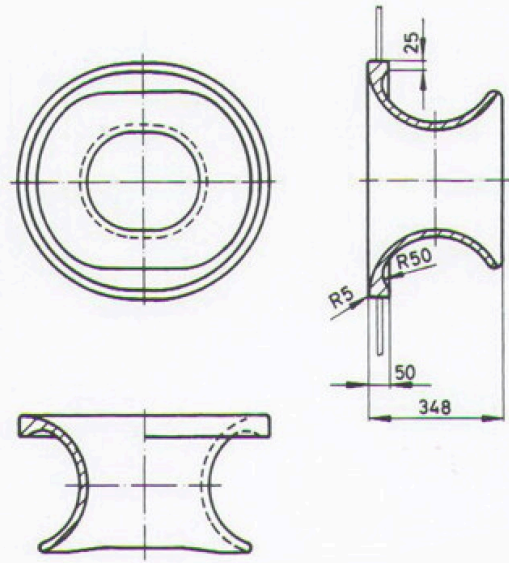


**MARINE CHOCK**

# Deck Mounted Chock NS2589

Material: Type A welded: steel NS12 132(R St42-2) Type B cast:cast steel NS 11 640(Sst 400)  
 Quality of manufacture: Surfaces coming into contact with the mooring the line shall be smooth. Furtherm...

- ISO9001 Supplier
- Class Certificate
- Export Supply

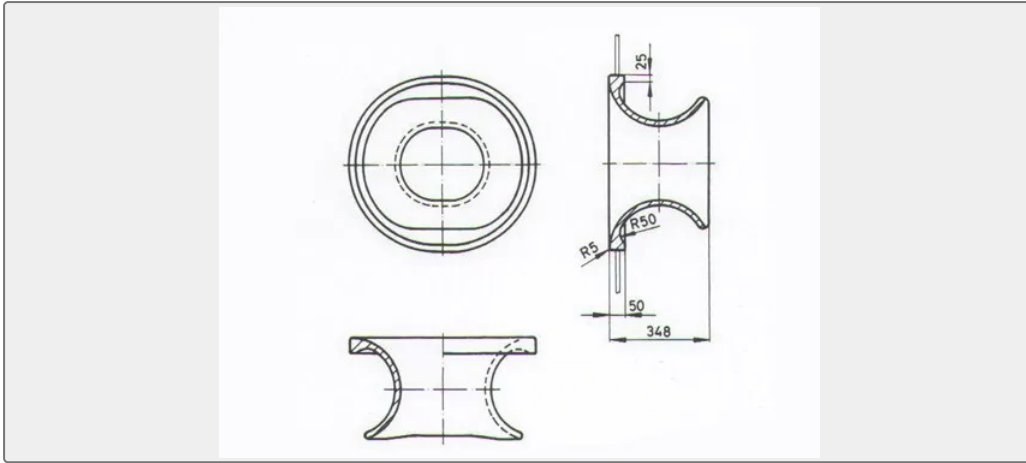
	<h3 style="margin: 0;">Key Highlights</h3> <table border="1" style="width: 100%; border-collapse: collapse;"> <tr> <td style="background-color: #1a3d4d; color: white; padding: 5px;"><b>Category</b></td> <td style="padding: 5px;">Marine Chock</td> </tr> <tr> <td style="background-color: #1a3d4d; color: white; padding: 5px;"><b>Standard</b></td> <td style="padding: 5px;">JIS</td> </tr> <tr> <td style="background-color: #1a3d4d; color: white; padding: 5px;"><b>Material</b></td> <td style="padding: 5px;">Cast Steel</td> </tr> <tr> <td style="background-color: #1a3d4d; color: white; padding: 5px;"><b>Weight / Size</b></td> <td style="padding: 5px;">NS2589 chock Nominal size Mass(kg) 300*250 114 400*250 153 Also we can s...</td> </tr> <tr> <td style="background-color: #1a3d4d; color: white; padding: 5px;"><b>Certificate</b></td> <td style="padding: 5px;">ABS , BV, DNV , LR , GL , CCS, RINA , mill certificate etc.</td> </tr> </table> <p style="font-size: small; margin-top: 10px;">We can supply according to your requirement, drawings, class certificate needs, and delivery schedule.</p>	<b>Category</b>	Marine Chock	<b>Standard</b>	JIS	<b>Material</b>	Cast Steel	<b>Weight / Size</b>	NS2589 chock Nominal size Mass(kg) 300*250 114 400*250 153 Also we can s...	<b>Certificate</b>	ABS , BV, DNV , LR , GL , CCS, RINA , mill certificate etc.
<b>Category</b>	Marine Chock										
<b>Standard</b>	JIS										
<b>Material</b>	Cast Steel										
<b>Weight / Size</b>	NS2589 chock Nominal size Mass(kg) 300*250 114 400*250 153 Also we can s...										
<b>Certificate</b>	ABS , BV, DNV , LR , GL , CCS, RINA , mill certificate etc.										

Technical Specifications			
<b>Category</b>	Marine Chock	<b>Model / SKU</b>	Deck-Mounted-Chock-NS2589
<b>Standard</b>	JIS	<b>Material</b>	Cast Steel
<b>Weight / Size</b>	NS2589 chock Nominal size Mass(kg) 300*250 114 400*250 153 Also we can supply other kinds of Chocks as below.	<b>Surface</b>	Painted
<b>Certificate</b>	ABS , BV, DNV , LR , GL , CCS, RINA , mill certificate etc.	<b>Warranty</b>	12 Months unless specified otherwise
<b>Origin</b>	China		

<b>CONTENTS</b>	<ul style="list-style-type: none"> <li>■ China Deck Mounted Chock NS2589:</li> </ul>	<ul style="list-style-type: none"> <li>■ Also we can supply other kinds of Chocks as below.</li> </ul>
-----------------	--	--



## China Deck Mounted Chock NS2589:



### Material:

Type A welded: steel NS12 132(R St42-2)

Type B cast: cast steel NS 11 640(Sst 400)

### Quality of manufacture:

Surfaces coming into contact with the mooring the line shall be smooth. Furthermore burrs or sharp edges shall not occur.

### Surface treatment:

The chocks shall be cleaned to Sa2.5 in accordance with Swedish standard SIS 05 59 00 and painted with an anticorrosive primer.

NS2589 chock	
Nominal size	Mass(kg)
300*250	114
400*250	153

## Also we can supply other kinds of Chocks as below.

Deck mounted Panama chock JIS F2017-1982 type AC

Bulwark mounted Panama Chock JIS F2017-1982 Type BC

Deck Mounted Closed Chock JIS F2005-1975

Bulwark mounted mooring chock JIS F 2007-1976 type A

Bulwark Mounted Chock DIN81915-1998 Type A

Bulwark Mounted Chock DIN81915-1998 Type B

Deck mounted Chock DIN81915-1998 type C

Deck mounted Chock DIN81915-1998 type D

Deck mounted Chock DIN81915-1998 type E

Deck Mounted Chock EU Type



Bulwark Mounted Chock EU Type

Single Point Mooring Pipe JIS F 2030-1978 type A

Single Point Mooring Pipe JIS F 2030-1978 type B

Deck mounted chock type A NS2587

Deck mounted chock type B NS2587

Deck mounted chock type A NS2588

Deck mounted chock type B NS2588

Deck mounted chock type A NS2589

Deck mounted chock type B NS2589

Deck mounted chock type A NS2590

Deck mounted chock type B NS2590

Mooring chock CB34 -76 TYPE A

Mooring chock CB34 -76 TYPE C

Open chock JISF 2006 TYPE FC