

Jinbo Marine

Marine & Offshore Equipment Datasheet

PRODUCT DATASHEET

MARINE CHOCK

Deck Mounted Chock NS2590

Material: Type A welded: steel NS12 132(R St42-2) Type B cast:cast steel NS 11 640(Sst 400)

Quality of manufacture: Surfaces coming into contact with the mooring the line shall be smooth. Furtherm...

ISO9001 Supplier

Class Certificate

Export Supply



Key Highlights

Category	Marine Chock
Standard	JIS
Material	Cast Steel
Weight / Size	NS2590 chock Nominal size Mass(kg) 300*250 109 400*250 174 Also we can s...
Certificate	ABS , BV, DNV , LR , GL , CCS, RINA , mill certificate etc.

We can supply according to your requirement, drawings, class certificate needs, and delivery schedule.

Technical Specifications

Category	Marine Chock	Model / SKU	Deck-Mounted-Chock-NS2590
Standard	JIS	Material	Cast Steel
Weight / Size	NS2590 chock Nominal size Mass(kg) 300*250 109 400*250 174 Also we can supply other kinds of Chocks as below.	Surface	painted
Certificate	ABS , BV, DNV , LR , GL , CCS, RINA , mill certificate etc.	Warranty	12 Months unless specified otherwise
Origin	China		

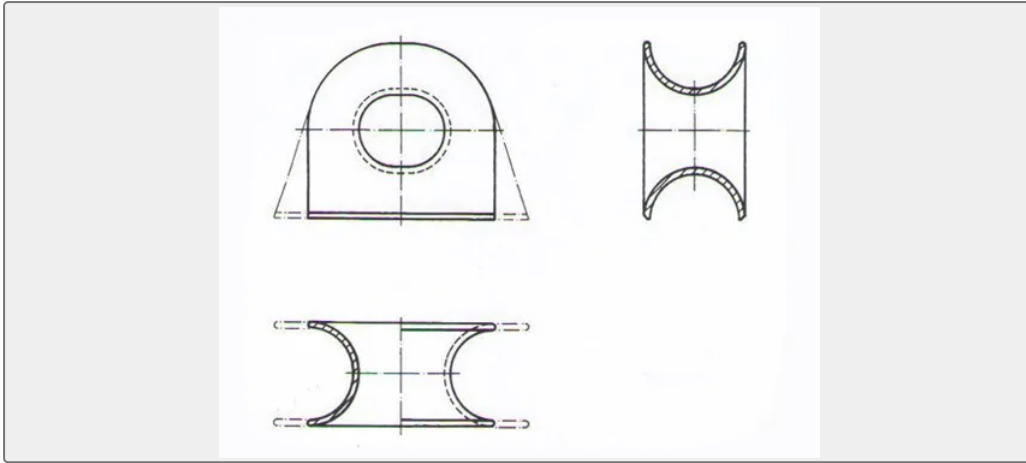
CONTENTS

- China Deck Mounted Chock NS2590:

- Also we can supply other kinds of Chocks as below.



China Deck Mounted Chock NS2590:



Material:

Type A welded: steel NS12 132(R St42-2)

Type B cast: cast steel NS 11 640(Sst 400)

Quality of manufacture:

Surfaces coming into contact with the mooring the line shall be smooth. Furthermore burrs or sharp edges shall not occur.

Surface treatment:

The chocks shall be cleaned to Sa2.5 in accordance with Swedish standard SIS 05 59 00 and painted with an anticorrosive primer.

NS2590 chock	
Nominal size	Mass(kg)
300*250	109
400*250	174

Also we can supply other kinds of Chocks as below.

Deck mounted Panama chock JIS F2017-1982 type AC

Bulwark mounted Panama Chock JIS F2017-1982 Type BC

Deck Mounted Closed Chock JIS F2005-1975

Bulwark mounted mooring chock JIS F 2007-1976 type A

Bulwark Mounted Chock DIN81915-1998 Type A

Bulwark Mounted Chock DIN81915-1998 Type B

Deck mounted Chock DIN81915-1998 type C

Deck mounted Chock DIN81915-1998 type D

Deck mounted Chock DIN81915-1998 type E

Deck Mounted Chock EU Type



Bulwark Mounted Chock EU Type

Single Point Mooring Pipe JIS F 2030-1978 type A

Single Point Mooring Pipe JIS F 2030-1978 type B

Deck mounted chock type A NS2587

Deck mounted chock type B NS2587

Deck mounted chock type A NS2588

Deck mounted chock type B NS2588

Deck mounted chock type A NS2589

Deck mounted chock type B NS2589

Deck mounted chock type A NS2590

Deck mounted chock type B NS2590

Mooring chock CB34 -76 TYPE A

Mooring chock CB34 -76 TYPE C

Open chock JISF 2006 TYPE FC