

# Jinbo Marine

Marine & Offshore Equipment Datasheet

PRODUCT DATASHEET

## OTHER MARINE VALVES & ACCESSORIES

# Deck Scupper Type SA/SAS CB/T3885-2004

ISO9001 Supplier

Class Certificate

Export Supply

Deck Scupper Standard: CB/T 3885-2004 It should pass the sealing test which lasts for 5 minutes under the 0.12Mpa water pressure.&nbsp; Type: Type Descriptions ...



### Key Highlights

Category	Other Marine Valves & Accessories
Standard	GB
Material	Carbon Steel
Weight / Size	Type Descriptions Nominal Size(mm) YA Round Deck Scupper 32~80 YB Round ...
Certificate	Mill certificate

We can supply according to your requirement, drawings, class certificate needs, and delivery schedule.

Technical Specifications			
<b>Category</b>	Other Marine Valves & Accessories	<b>Model / SKU</b>	Deck-Scupper-Type-SA-SAS-CB-T3885-2004
<b>Standard</b>	GB	<b>Material</b>	Carbon Steel
<b>Weight / Size</b>	Type Descriptions Nominal Size(mm) YA Round Deck Scupper 32~80 YB Round Deck Scupper with flange, flange size as per GB/T10751-1989 32~40 YBS Round Deck Scupper with flange, flange size as per GB/T2506-1989 32~65 YC Flat Round Deck Scupper 32~100 YD Short-tube Round Deck Scupper 40~65 TA Oval Deck Scupper 80~150 TB Oval Deck Scupper with flange, flange size as per CB/T46-1999 TBS Oval Deck Scupper with flange, flange size as per GB/T2506-1989 SA Water Sealed Deck Scupper with Flange, flange size as per CB/T46-1999 & GB/T10751-1989 40~100 SAS Water Sealed Deck Scupper with Flange, flange size as per GB/T2506-1989 50~100 SB Bolted Water Sealed Deck Scupper with Flange, flange size as per CB/T46-1999 & GB/T10751-1989 40~100 SBS Bolted Water Sealed Deck Scupper with Falnge, flange size as per GB/T2506-1989 50~100 SC Welded Water Sealed Deck Scupper with Falnge, flange size as per CB/T46-1999 & GB/T10751-1989 40~100 SCS Welded Water Sealed Deck Scupper with Falnge, flange size as per GB/T2506-1989 50~100 Main Parts & Size:	<b>Certificate</b>	Mill certificate
<b>Warranty</b>	12 Months unless specified otherwise	<b>Origin</b>	China

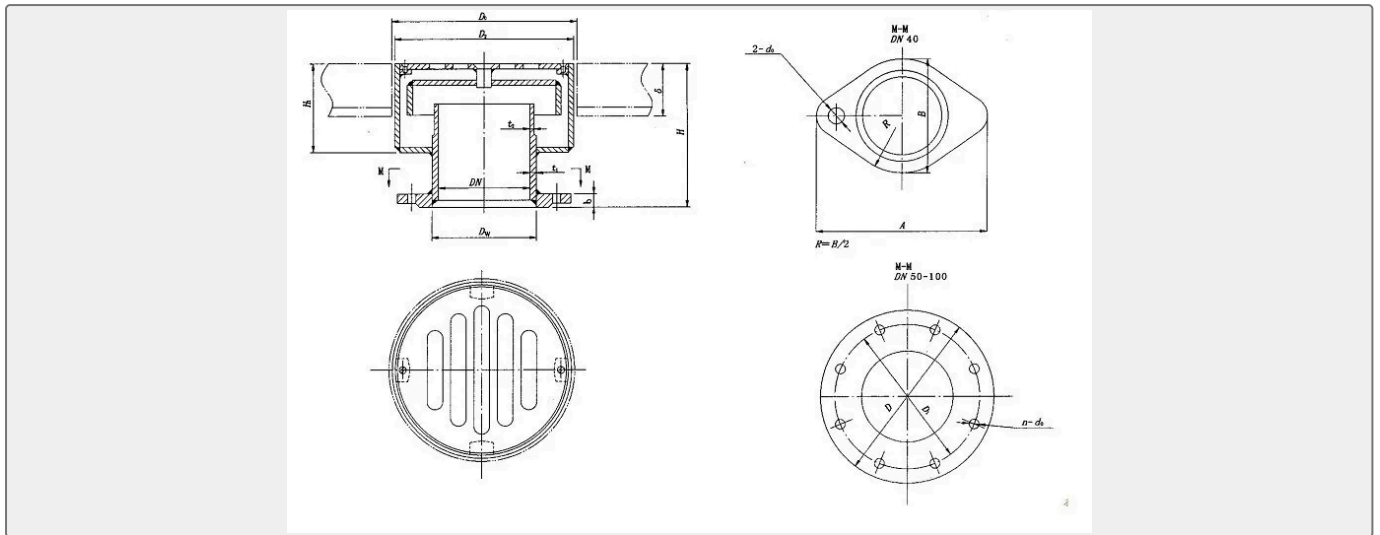
**CONTENTS**

- China Deck Scupper Type SA/SAS CB/T3885-2004:
- Main Parts & Size:
- Main Size List for SAS (mm):
- Type:
- Main Size List for SA (mm):



0.052193s

## China Deck Scupper Type SA/SAS CB/T3885-2004:



Deck Scupper Standard: CB/T 3885-2004

It should pass the sealing test which lasts for 5 minutes under the 0.12Mpa water pressure.

### Type:

Type	Descriptions	Nominal Size(mm)
YA	Round Deck Scupper	32-80
YB	Round Deck Scupper with flange, flange size as per GB/T10751-1989	32-40
YBS	Round Deck Scupper with flange, flange size as per GB/T2506-1989	32-65
YC	Flat Round Deck Scupper	32-100
YD	Short-tube Round Deck Scupper	40-65
TA	Oval Deck Scupper	80-150
TB	Oval Deck Scupper with flange, flange size as per CB/T46-1999	
TBS	Oval Deck Scupper with flange, flange size as per GB/T2506-1989	
SA	Water Sealed Deck Scupper with Flange, flange size as per CB/T46-1999 & GB/T10751-1989	40-100
SAS	Water Sealed Deck Scupper with Flange, flange size as per GB/T2506-1989	50-100
SB	Bolted Water Sealed Deck Scupper with Flange, flange size as per CB/T46-1999 & GB/T10751-1989	40-100
SBS	Bolted Water Sealed Deck Scupper with Flange, flange size as per GB/T2506-1989	50-100
SC	Welded Water Sealed Deck Scupper with Flange, flange size as per CB/T46-1999 & GB/T10751-1989	40-100
SCS	Welded Water Sealed Deck Scupper with Flange, flange size as per GB/T2506-1989	50-100

### Main Parts & Size:

Body---Carbon Steel with Galv

Grill---Carbon Steel with Galv

Water Seal Cover---Carbon Steel with Galv

Stem---Aluminum Bronze

Screw---Brass

**Main Size List for SA (mm):**

DN	Dw	D0	D2	H	H1	$\delta \leq$	t1	t2	Flange Size						b	d0	weight(kgs)
									As per GB/T10751-1989			As per CB/T46-1999					
									A	B	D1	D	D1	n			
40	48	118	114	120	75	60	5	3	132	95	100	16	14	3.5			
50	60						6	4	—	—	—	135	103	6	14	15	3.6
65	76	144	140		80		6.5	4.5				155	123				4.7
80	89	172	168	170	115	110	7					170	138				8.3
100	114	207	203		125		8	5				190	158	8			11.5

**Main Size List for SAS (mm):**

DN	Dw	D0	D2	H	H1	$\delta \leq$	t1	t2	Flange Size					weight(kgs)
									As per GB/T 2506-1989					
									D	D1	b	d0	n	
50	60	118	114	120	75	60	6	4	140	110	16	14	4	5.8
65	76	144	140		80		6.5	4.5	160	130				7.4
80	89	172	168	170	15	110	7		190	150	18			9.3
100	114	207	203		125		8	5	210	170				12.5