

Jinbo Marine

Marine & Offshore Equipment Datasheet

PRODUCT DATASHEET

CONNECTORS

Detachable connecting link C Type

Detachable chain connecting link C Type also named C connectors, material U3, R3,R3s and R4 grade. Technical Specification Detachable chain connecting link (C-connector) dimensions in mm ...

ISO9001 Supplier

Class Certificate

Export Supply



Key Highlights

Category	Connectors
Standard	EN
Material	U3,R3,R4
Weight / Size	Technical Specification Detachable chain connecting link (C-connector) d...
Certificate	CCS,ABS

We can supply according to your requirement, drawings, class certificate needs, and delivery schedule.



Technical Specifications			
Category	Connectors	Model / SKU	Detachable-connecting-link-C-Type
Standard	EN	Material	U3,R3,R4
Weight / Size	Technical Specification Detachable chain connecting link (C-connector) dimensions in mm Chain size A B C D E F G Weight kg 30 - 32 190.5 127 44 32 35 39 21 4.5 33 - 35 210 140 49 35 39 42 23 6 36 - 38 229 152 53 38 43 46 25 7.8 40 - 42 248 165 57 41 50 50 27 10 43 - 44 267 190 62 44 51 56 30 12.5 46 - 48 286 184 64 48 55 60 31 14.5 50 - 51 305 197 64 51 59 64 33 16.5 52 - 54 324 210 67 54 64 67 36 20 56 - 58 343 221 71 57 67 71 38 23.5 59 - 60 362 234 78 60 70 75 40 27.5 62 - 64 381 246 79 64 73 78 42 32 66 - 67 400 246 83 67 78 79 44 37 68 - 70 419 275 92 73 83 90 46 45.5 71 - 73 438 283 94 73 85 93 48 48.5 74 - 76 457 295 95 76 90 94 50 54.5 78 - 79 476 308 102 79 92 96 52 62.5 81 - 83 495 320 103 83 92 103 55 73 84 - 86 514 332 107 86 100 107 57 80.5 87 - 89 537 350 116 92 105 114 59 93.5 90 - 92 552 356 119 92 106 116 61 97.5 94 - 95 571 368 122 95 114 119 62 116 97 - 98 590 381 127 98 117 121 67 123 100 - 102 607 394 132 102 119 122 68 130 Detachable Chain Link C Proof Load Testing	Certificate	CCS,ABS
Warranty	12 Months unless specified otherwise	Origin	China

CONTENTS

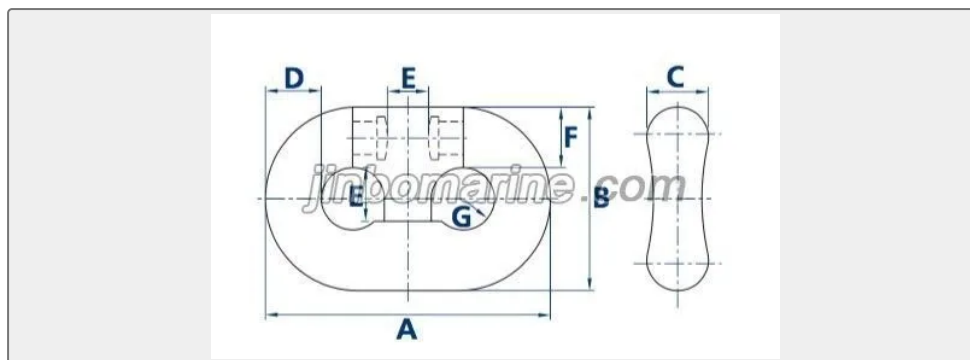
- China Detachable connecting link C Type:
 - Technical Specification
- Detachable Chain Link C Proof Load Testing

China Detachable connecting link C Type:

Detachable chain connecting link C Type also named C connectors, material U3, R3,R3s and R4 grade.



Technical Specification



Detachable chain connecting link (C-connector) dimensions in mm

Chain size	A	B	C	D	E	F	G	Weight kg
30 - 32	190.5	127	44	32	35	39	21	4.5
33 - 35	210	140	49	35	39	42	23	6
36 - 38	229	152	53	38	43	46	25	7.8
40 - 42	248	165	57	41	50	50	27	10
43 - 44	267	190	62	44	51	56	30	12.5
46 - 48	286	184	64	48	55	60	31	14.5
50 - 51	305	197	64	51	59	64	33	16.5
52 - 54	324	210	67	54	64	67	36	20
56 - 58	343	221	71	57	67	71	38	23.5
59 - 60	362	234	78	60	70	75	40	27.5
62 - 64	381	246	79	64	73	78	42	32
66 - 67	400	246	83	67	78	79	44	37
68 - 70	419	275	92	73	83	90	46	45.5
71 - 73	438	283	94	73	85	93	48	48.5
74 - 76	457	295	95	76	90	94	50	54.5
78 - 79	476	308	102	79	92	96	52	62.5
81 - 83	495	320	103	83	92	103	55	73
84 - 86	514	332	107	86	100	107	57	80.5
87 - 89	537	350	116	92	105	114	59	93.5
90 - 92	552	356	119	92	106	116	61	97.5
94 - 95	571	368	122	95	114	119	62	116
97 - 98	590	381	127	98	117	121	67	123
100 - 102	607	394	132	102	119	122	68	130

Detachable Chain Link C Proof Load Testing

