

Jinbo Marine

Marine & Offshore Equipment Datasheet

PRODUCT DATASHEET

MARINE DOOR

Dog Lock for Marine Weathertight Door

The dog lock is used on the marine weathertight door CB/T3477. Main Parts & Material:
 1.Wedge Outside Handle---Forged Steel with Hop Dip Galv
 2.Wedge Inside Handle---Forged Steel with Hop Dip Galv ...

ISO9001 Supplier

Class Certificate

Export Supply



Key Highlights

Category	Marine Door
Standard	CB
Material	Carbon Steel
Weight / Size	Nut---Carbon Steel with Hop Dip Galv Main Size(mm):
Certificate	ABS, LR, BV, DNVGL, NK, KR, IRS, RMRS, CCS

We can supply according to your requirement, drawings, class certificate needs, and delivery schedule.

Technical Specifications

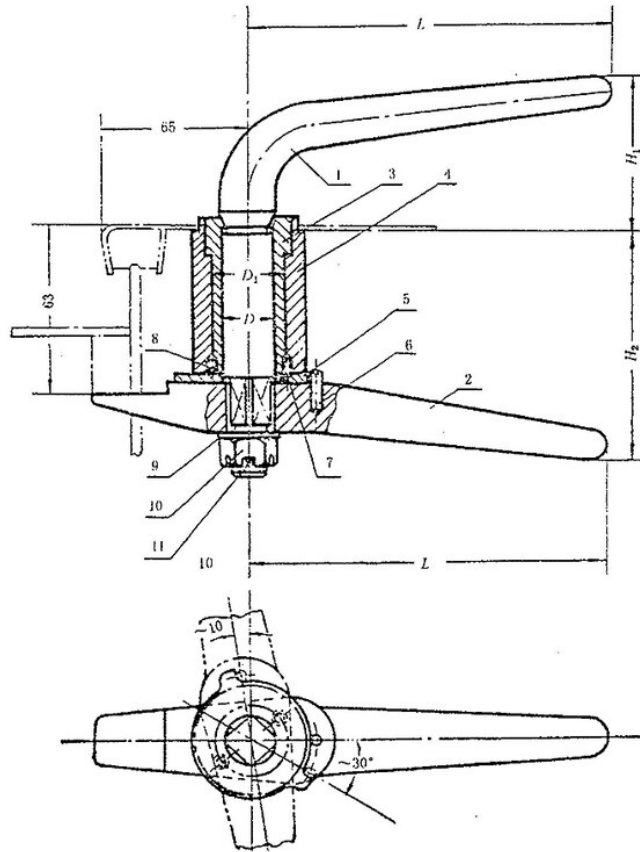
Category	Marine Door	Model / SKU	Dog-Lock-for-Marine-Weathertight-Door
Standard	CB	Material	Carbon Steel
Weight / Size	Nut---Carbon Steel with Hop Dip Galv Main Size(mm):	Certificate	ABS, LR, BV, DNVGL, NK, KR, IRS, RMRS, CCS
Warranty	12 Months unless specified otherwise	Origin	China

CONTENTS

- China Dog Lock for Marine Weathertight Door:
- Main Parts & Material:
- Main Size(mm):



Dog Lock for Marine Weathertight Door Drawing



China Dog Lock for Marine Weathertight Door:

The dog lock is used on the marine weathertight door CB/T3477.

Main Parts & Material:

- 1.Wedge Outside Handle---Forged Steel with Hop Dip Galv
- 2.Wedge Inside Handle---Forged Steel with Hop Dip Galv
- 3.Bush---Brass
- 4.Socket---Carbon Steel
- 5.Gasket---Brass and Nylon
- 6.Pin---Carbon Steel
- 7/8. Screw---Carbon Steel
- 9.Washer---Carbon Steel
10. Nut---Carbon Steel with Hop Dip Galv

Main Size(mm):

Item No	D	D1	L	H	H1	H2	Weight(KGS)
A150	20	28	150	53	60	90	1.89

