


**CHAIN SLING**

# Double Legs Spliced Wire Rope Sling

The specification of the steel wire rope in the form with the working load is: 6\*37+FC-1670; The 0-90 can be used if the customers do not have any special requirement. Different construction rope with differe...

- ISO9001 Supplier
- Class Certificate
- Export Supply



**Key Highlights**

<b>Category</b>	Chain Sling
<b>Standard</b>	DIN
<b>Material</b>	Galvanized Steel Wire Rope
<b>Certificate</b>	ABS, LR, BV, DNVGL, NK, KR, IRS, RMRS, CCS

We can supply according to your requirement, drawings, class certificate needs, and delivery schedule.

Technical Specifications			
<b>Category</b>	Chain Sling	<b>Model / SKU</b>	Double-Legs-Spliced-Wire-Rope-Sling
<b>Standard</b>	DIN	<b>Material</b>	Galvanized Steel Wire Rope
<b>Certificate</b>	ABS, LR, BV, DNVGL, NK, KR, IRS, RMRS, CCS	<b>Warranty</b>	12 Months unless specified otherwise
<b>Origin</b>	China		

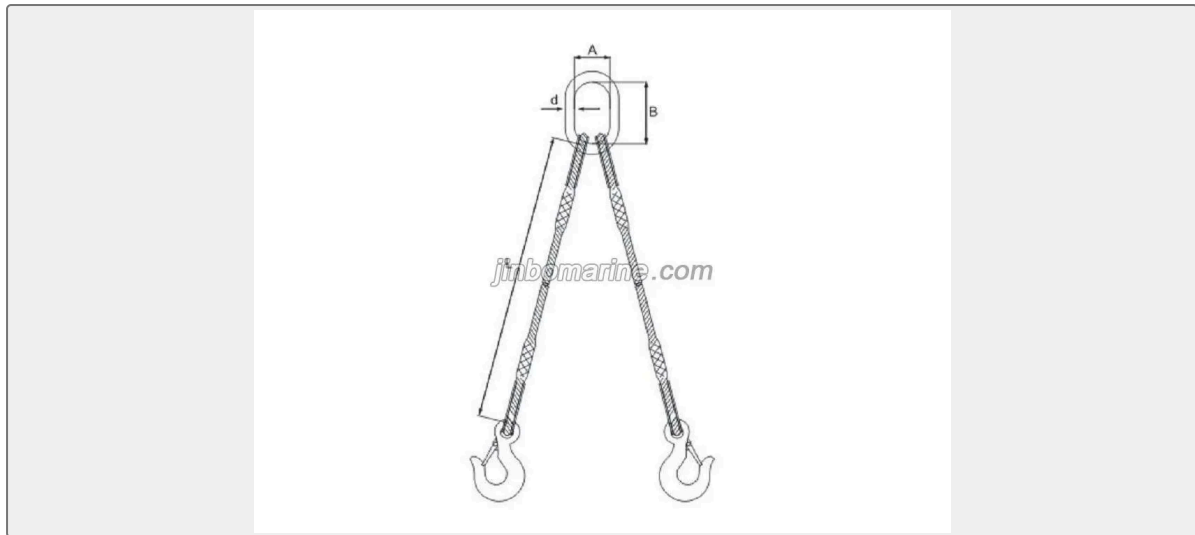
## China Double Legs Spliced Wire Rope Sling:

The specification of the steel wire rope in the form with the working load is: 6\*37+FC-1670;

The 0-90 can be used if the customers do not have any special requirement.

Different construction rope with different working load, we can calculate the working load of the steel wire rope construction that the customer required.

According to the Standard GB/T16271-1996.



Products type	Dia of rope(d) ( mm)	Working load limit	A×B×d	Hook	
		( kN )	( mm )	Art NO.	Working load(t)
VCSH06	6	2.7	65×130×16	( US ) S6	0.75
VCSH07	7	3.6	65×130×16	( US ) S6	0.75
VCSH08	8	4.7	65×130×16	( US ) S6	0.75
VCSH09	9	6	65×130×16	( US ) S6	0.75
VCSH10	10	7.4	65×130×16	( US ) S6	0.75
VCSH11	11	8.9	65×130×16	( US ) S6	1
VCSH12	12	11	65×130×16	( US ) S6	1.5
VCSH13	13	12	65×130×16	( US ) S6	1.5
VCSH14	14	14	65×130×16	( US ) S6	1.5
VCSH16	16	19	65×130×16	( US ) S6	2
VCSH18	18	24	80×150×20	( US ) S6	3
VCSH20	20	30	80×150×20	( US ) S6	3
VCSH22	22	36	90×160×24	( US ) S6	5
VCSH24	24	42	90×160×24	( US ) S6	5
VCSH26	26	50	90×160×24	( US ) S6	5
VCSH28	28	58	100×190×28	( US ) S6	7.5
VCSH30	30	66	100×190×28	( US ) S6	10
VCSH32	32	76	100×190×28	( US ) S6	10
VCSH34	34	85	110×200×32	( US ) S6	10
VCSH36	36	96	110×200×32	( US ) S6	15
VCSH38	38	106	120×230×34	EYE	15

VCSH40	40	118	120×230×34	EYE	15
VCSH42	42	130	135×250×38	EYE	15
VCSH44	44	143	135×250×38	EYE	15
VCSH46	46	156	140×270×42	EYE	37
VCSH48	48	170	140×270×42	EYE	37
VCSH50	50	185	140×270×42	EYE	37
VCSH52	52	200	140×270×42	EYE	37
VCSH54	54	215	140×270×42	EYE	37
VCSH56	56	231	160×310×46	EYE	37
VCSH58	58	248	160×310×46	EYE	37
VCSH60	60	266	160×310×46	EYE	37