

SHACKLE

Double Pin Connector Shackle

The body material is made of high strength steel and pin is made of high strenth alloy steel, finish is yellow painting. Please make sure that the load is centered on the pin. When there is too much space in the Ja...

- ISO9001 Supplier
- Class Certificate
- Export Supply



Key Highlights

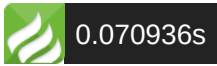
Category	Shackle
Standard	EN
Material	High Strength Alloy Steel
Weight / Size	When there is too much space in the Jaw (B dimension), use washers to ce...
Certificate	ABS, LR, BV, DNVGL, NK, KR, IRS, RMRS, CCS

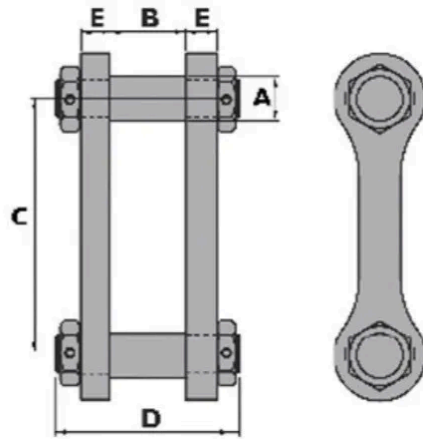
We can supply according to your requirement, drawings, class certificate needs, and delivery schedule.

Technical Specifications			
Category	Shackle	Model / SKU	Double-Pin-Connector-Shackle
Standard	EN	Material	High Strength Alloy Steel
Weight / Size	When there is too much space in the Jaw (B dimension), use washers to center the load.	Surface	The body material is made of high strength steel and pin is made of high strenth alloy steel, finish is yellow painting.
Certificate	ABS, LR, BV, DNVGL, NK, KR, IRS, RMRS, CCS	Warranty	12 Months unless specified otherwise
Origin	China		

China Double Pin Connector Shackle:

The body material is made of high strength steel and pin is made of high strenth alloy steel, finish is yellow painting. Please make sure that the load is centered on the pin. When there is too much space in the Jaw (B dimension), use washers to center the load.





Size	WLL (Tons)	DIMENSIONS (Inches)					Weight (Lbs.)
		A	B	C	D	E	
12"	110	4.33	6.69	21.26	20.08	3.54	465
15"	110	4.33	7.87	21.26	21.26	3.54	476
18"	110	4.33	8.86	27.95	22.24	3.54	538
21"	110	4.33	9.84	27.95	23.23	3.54	551