

Jinbo Marine

Marine & Offshore Equipment Datasheet

PRODUCT DATASHEET

CONNECTORS

Double Pin Snotter Shackle

Material: High Tensile Alloy Steel Proof Load: 300Ton Breaking Load: 500Ton Size from 12inch to 21inch. Finish: Black Painting. Our Service 1. 100% factory tested b...

ISO9001 Supplier

Class Certificate

Export Supply



Key Highlights

Category	Connectors
Standard	EN
Material	Material:
Weight / Size	500Ton Size from 12inch to 21inch.
Certificate	ABS, LR, BV, DNVGL, NK, KR, IRS, RMRS, CCS

We can supply according to your requirement, drawings, class certificate needs, and delivery schedule.

Technical Specifications

Category	Connectors	Model / SKU	Double-Pin-Snotter-Shackle
Standard	EN	Material	Material:
Weight / Size	500Ton Size from 12inch to 21inch.	Surface	Black Painting
Certificate	ABS, LR, BV, DNVGL, NK, KR, IRS, RMRS, CCS	Warranty	12 Months unless specified otherwise
Origin	China		

CONTENTS

- China Double Pin Snotter Shackle:

- Our Service

China Double Pin Snotter Shackle:

Material: High Tensile Alloy Steel

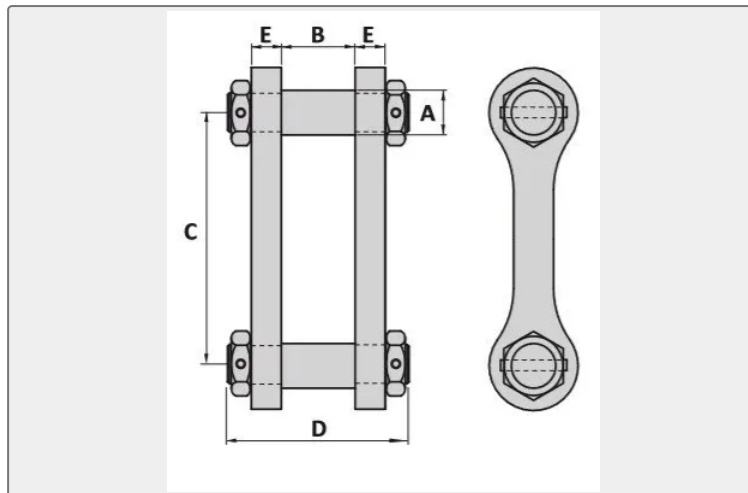
Proof Load: 300Ton

Breaking Load: 500Ton

Size from 12inch to 21inch.



Finish: Black Painting.



Our Service

1. 100% factory tested before shipment.
2. Any Inquiries will be replied within 24 hours.
3. Supply of chemicals,filter elements,membranes and other consumable spare parts.
4. One year quality warranty unless specified otherwise.
5. Professional and reliable supplier.
6. Good After Sale Service:
 - 1).All products will have been strictly Quality Checked before packing.
 - 2).All products will be well packed before shipping.
7. Fast delivery.