

Jinbo Marine

Marine & Offshore Equipment Datasheet

PRODUCT DATASHEET

DOVETAIL PLATES FOUNDATIONS

Double Raised ISO Foundation

1.All items are approved by major classification societies 2.customized design is available

Material: casting steel Finish: paint Type:Length 203 Weight14.6kg/ Length 216

Weight14.7kg/ Length 258 We...

ISO9001 Supplier

Class Certificate

Export Supply



Key Highlights

Category	Dovetail Plates Foundations
Standard	ISO
Material	casting steel
Weight / Size	paint Type:Length 203 Weight14.6kg/ Length 216 Weight14.7kg/ Length 258 ...
Certificate	GL certificate

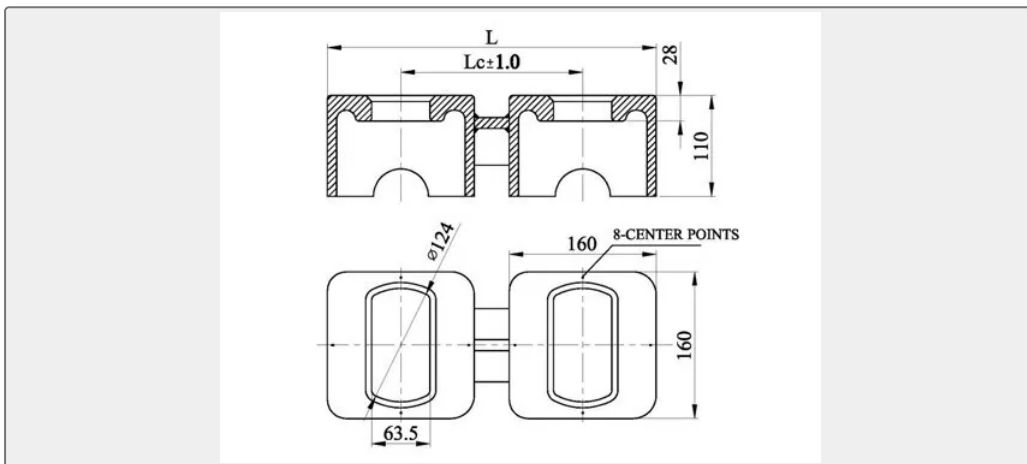
We can supply according to your requirement, drawings, class certificate needs, and delivery schedule.

Technical Specifications

Category	Dovetail Plates Foundations	Model / SKU	Double-Raised-ISO-Foundation
Standard	ISO	Material	casting steel
Weight / Size	paint Type:Length 203 Weight14.6kg/ Length 216 Weight14.7kg/ Length 258 Weight15.3kg M.B.L:	Surface	casting steel Finish:
Certificate	GL certificate	Warranty	12 Months unless specified otherwise
Origin	China		



China Double Raised ISO Foundation:



- 1.All items are approved by major classification societies
- 2.customized design is available

Material: casting steel

Finish: paint

Type:Length 203 Weight14.6kg/ Length 216 Weight14.7kg/ Length 258 Weight15.3kg

M.B.L: Tension: 500KN

M.B.L: Shear: 420KN

Certification: All items are approved by major classification societies

Remarks: customized design is available

Our scope of supply(cotainer fastners) covers the follows:

D-ring, Lashing plate, Raised ISO foundations, Dovetail foundations, Flush sockets, Sliding foundations, Guide cone, Guide block, Turnbuckles, Lashing rods, Extension rods, Manual twistlocks, Semi-automatic twistlocks, Midlocks, Sliding twistlocks, Bridge fittings, Single stackers, Double **stackers**, Hanging stackers, ETC.