

# Jinbo Marine

Marine &amp; Offshore Equipment Datasheet

PRODUCT DATASHEET

## TWISTLOCK

## Dovetail Twistlock

1.All items are approved by major classification societies 2.customized design is available.  
Material: casting steel Finish: hot dip galvanized weight:5.5kg M.B.L tension:500KN M.B.L  
shea...

ISO9001 Supplier

Class Certificate

Export Supply



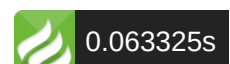
### Key Highlights

Category	Twistlock
Standard	ISO
Material	casting steel
Weight / Size	hot dip galvanized weight:5.5kg M.B.L tension:500KN M.B.L shear:420KN M....
Certificate	GL certificate

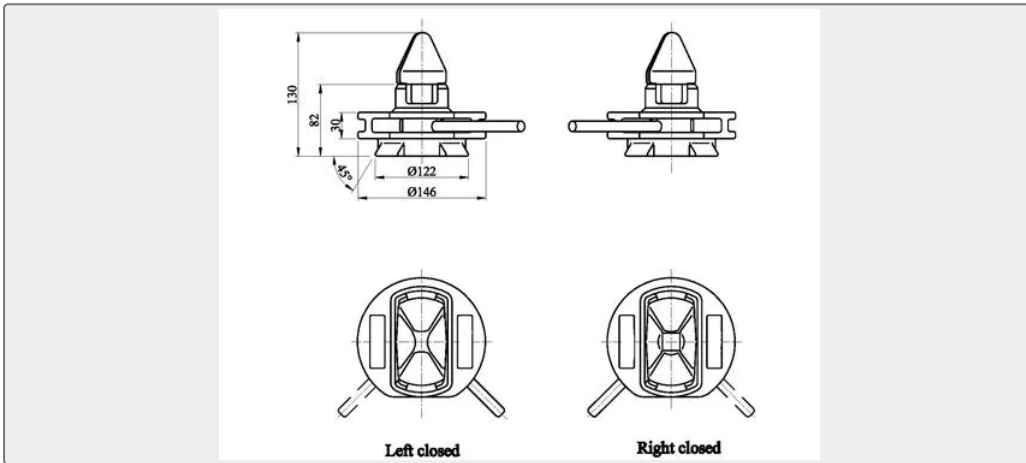
We can supply according to your requirement, drawings, class certificate needs, and delivery schedule.

### Technical Specifications

Category	Twistlock	Model / SKU	Dovetail-Twistlock
Standard	ISO	Material	casting steel
Weight / Size	hot dip galvanized weight:5.5kg M.B.L tension:500KN M.B.L shear:420KN M.B.L compression:2000KN Certification:	Surface	hot dip galvanized
Certificate	GL certificate	Warranty	12 Months unless specified otherwise
Origin	China		



## China Dovetail Twistlock:



- 1.All items are approved by major classification societies
- 2.customized design is available.

Material: casting steel

Finish: hot dip galvanized

weight:5.5kg

M.B.L tension:500KN

M.B.L shear:420KN

M.B.L compression:2000KN

Certification: All items are approved by major classification societies

Remarks: customized design is available

Our scope of supply( cotainer fastners ) covers the follows:

D-ring, Lashing plate, Raised ISO foundations, Dovetail foundations, Flush sockets, Sliding foundations, Guide cone, Guide block, Turnbuckles, Lashing rods, Extension rods, Manual twistlocks, Semi-automatic **twistlocks**, Midlocks, Sliding twistlocks, Bridge fittings, Single stackers, Double stackers, Hanging stackers, ETC.