

Jinbo Marine

Marine & Offshore Equipment Datasheet

PRODUCT DATASHEET

TWISTLOCK

Dovetail Twistlock 45 Degree

1.All items are approved by major classification societies 2.customized design is available.
Material: casting steel Finish: hot dip galvanized weight:5.8kg M.B.L tension:500KN M.B.L shear...

ISO9001 Supplier

Class Certificate

Export Supply



Key Highlights

Category	Twistlock
Standard	ISO
Material	casting steel
Weight / Size	hot dip galvanized weight:5.8kg M.B.L tension:500KN M.B.L shear:420KN Ce...
Certificate	GL certificate

We can supply according to your requirement, drawings, class certificate needs, and delivery schedule.

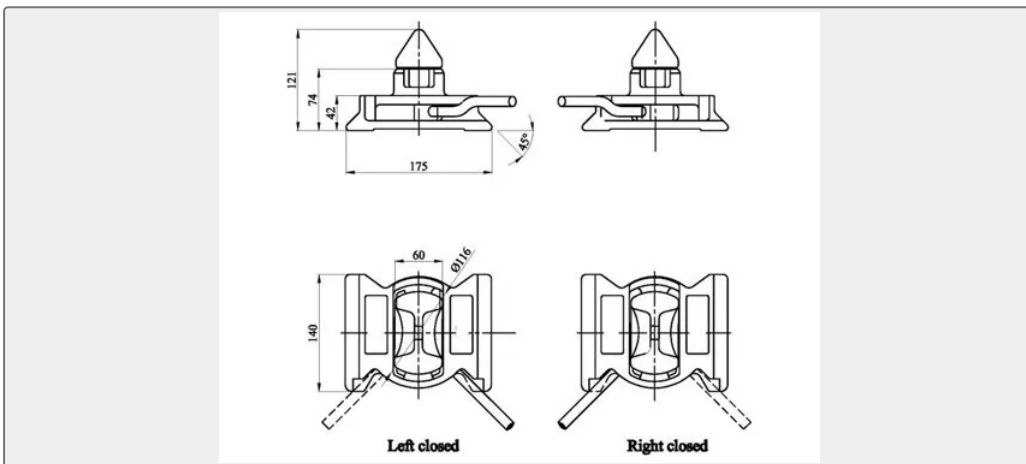
Technical Specifications

Category	Twistlock	Model / SKU	Dovetail-Twistlock-45-Degree
Standard	ISO	Material	casting steel
Weight / Size	hot dip galvanized weight:5.8kg M.B.L tension:500KN M.B.L shear:420KN Certification:	Surface	hot dip galvanized
Certificate	GL certificate	Warranty	12 Months unless specified otherwise
Origin	China		



0.035412s

China Dovetail Twistlock 45 Degree:



- 1.All items are approved by major classification societies
- 2.customized design is available.

Material: casting steel

Finish: hot dip galvanized

weight:5.8kg

M.B.L tension:500KN

M.B.L shear:420KN

Certification: All items are approved by major classification societies

Remarks: customized design is available

Our scope of supply(cotainer fastners) covers the follows:

D-ring, Lashing plate, Raised ISO foundations, Dovetail foundations, Flush sockets, Sliding foundations, Guide cone, Guide block, Turnbuckles, Lashing rods, Extension rods, Manual twistlocks, Semi-automatic twistlocks, Midlocks, Sliding twistlocks, Bridge fittings, Single stackers, Double stackers, Hanging stackers, ETC.