

# Jinbo Marine

Marine & Offshore Equipment Datasheet

PRODUCT DATASHEET

## WIRE ROPE CLIP

# Drop Forged Wire Rope Clips US Type

Similar Name Drop Forged Wire Rope Clips US Type Drop Forged Wire Rope Clamps US Type Size Table Size inch A B ...

ISO9001 Supplier

Class Certificate

Export Supply



### Key Highlights

Category	Wire Rope Clip
Material	45# Steel
Weight / Size	Similar Name Drop Forged Wire Rope Clips US Type Drop Forged Wire Rope C...
Certificate	ABS, LR, BV, DNVGL, NK, KR, IRS, RMRS, CCS

We can supply according to your requirement, drawings, class certificate needs, and delivery schedule.

Technical Specifications			
<b>Category</b>	Wire Rope Clip	<b>Model / SKU</b>	Drop-Forged-Wire-Rope-Clips-US-Type
<b>Material</b>	45# Steel	<b>Weight / Size</b>	Similar Name Drop Forged Wire Rope Clips US Type Drop Forged Wire Rope Clamps US Type Size Table Size inch A B C D E F G 100/WT kg 1/8 12 20 11 7/32 10 23 18 2.3 3/4 15 23 14 1/4 12 29 24 4 3/16 19 30 15 5/16 16 36 26 8 5/16 22 33 19 3/8 18 43 35 14 3/8 25 41 19 7/16 23 49 38 19 7/16 30 46 25 1/2 26 58 47 32 1/2 30 48 25 1/2 28 58 47 34 9/16 33 52 32 9/16 31 63 57 45 5/8 33 52 32 9/16 34 63 60 45 3/4 38 57 36 5/8 35 72 70 68 7/8 44 62 41 3/4 40 80 79 109 1 47 66 46 3/4 45 88 89 113 1 1/8 51 71 51 3/4 48 91 98 131 1 1/4 59 80 54 7/8 56 105 108 195 1 3/8 60 80 59 7/8 59 106 118 209 1 1/2 66 87 60 7/8 62 113 125 245 1 5/8 70 92 66 1 68 121 135 318
<b>Certificate</b>	ABS, LR, BV, DNVGL, NK, KR, IRS, RMRS, CCS	<b>Warranty</b>	12 Months unless specified otherwise
<b>Origin</b>	China		

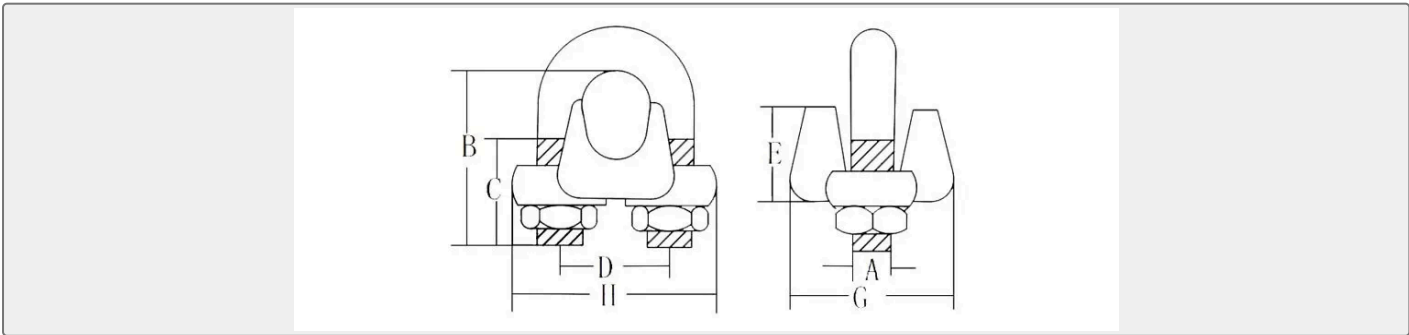
<b>CONTENTS</b>	<input type="checkbox"/> Similar Name <input checked="" type="checkbox"/> Size Table
-----------------	--

### Similar Name

Drop Forged Wire Rope Clips US Type

Drop Forged Wire Rope Clamps US Type

### Size Table



Size inch	A	B	C	D	E	F	G	100/WT kg
1/8	12	20	11	7/32	10	23	18	2.3
3/4	15	23	14	1/4	12	29	24	4
3/16	19	30	15	5/16	16	36	26	8
5/16	22	33	19	3/8	18	43	35	14
3/8	25	41	19	7/16	23	49	38	19
7/16	30	46	25	1/2	26	58	47	32
1/2	30	48	25	1/2	28	58	47	34
9/16	33	52	32	9/16	31	63	57	45
5/8	33	52	32	9/16	34	63	60	45
3/4	38	57	36	5/8	35	72	70	68
7/8	44	62	41	3/4	40	80	79	109
1	47	66	46	3/4	45	88	89	113
1 1/8	51	71	51	3/4	48	91	98	131
1 1/4	59	80	54	7/8	56	105	108	195
1 3/8	60	80	59	7/8	59	106	118	209
1 1/2	66	87	60	7/8	62	113	125	245
1 5/8	70	92	66	1	68	121	135	318