

# Jinbo Marine

Marine & Offshore Equipment Datasheet

PRODUCT DATASHEET

A SERIES SHORT PITCH PRECISION ROLLER CHAIN

## Duplex Roller Chain


Main Specification DIN/ISO Chain No. ANSI Chain No. Pitch Roller Width&nbsp; Pin Diameter

...

ISO9001 Supplier

Class Certificate

Export Supply

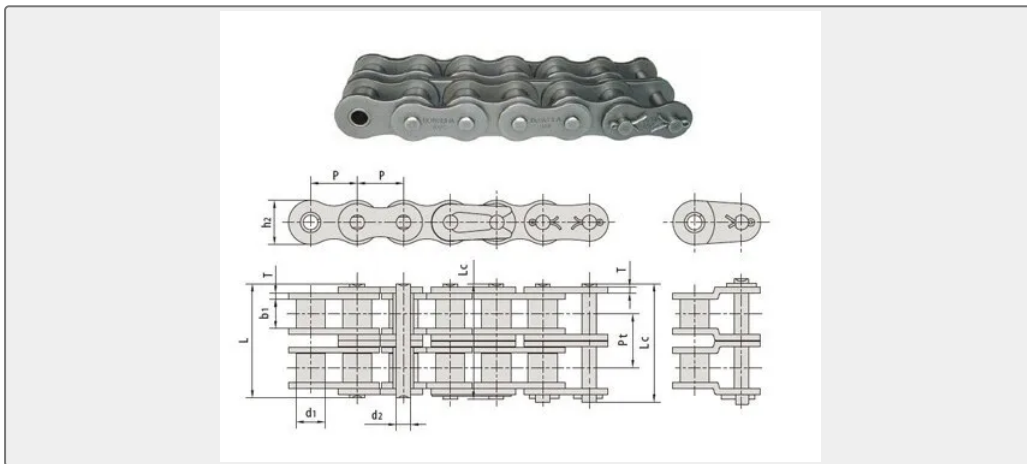
	Key Highlights	
	Category	A Series Short Pitch Precision Roller Chain
	Standard	ISO
	Material	40Mn2
	Weight / Size	Pitch Roller Width Pin Diameter Pin Length Inner plate depth Plate Thic...
Certificate	ABS, LR, BV, DNVGL, NK, KR, IRS, RMRS, CCS	
<p>We can supply according to your requirement, drawings, class certificate needs, and delivery schedule.</p>		



Technical Specifications			
<b>Category</b>	A Series Short Pitch Precision Roller Chain	<b>Model / SKU</b>	Duplex-Roller-Chain
<b>Standard</b>	ISO	<b>Material</b>	40Mn2
<b>Weight / Size</b>	Pitch Roller Width Pin Diameter Pin Length Inner plate depth Plate Thickness Ultimate tensile strength Average tensile strength weight Per Meter P d1 b1 d2 L Lc h2 T Q Q0 q mm mm mm mm mm mm mm mm kN/LB kN kg/m *04C- 2 *25-2 6.35 3.3 3.18 2.31 14.5 15 6 0.8 7.00/1591 8.6 0.28 *06C-2 *35-2 9.525 5.08 4.77 3.58 22.5 23.3 9 1.3 15.80/3591 19.7 0.63 085-2 Feb-41 12.7 7.77 6.25 3.58 25.7 26.9 9.91 1.3 13.34/3032 16.9 0.81 08A-2 Feb-40 12.7 7.95 7.85 3.96 31 32.2 12 1.5 28.20/6409 35.9 1.12 10A-2 Feb- 50 15.875 10.16 9.4 5.08 38.9 40.4 15.09 2.03 44.40/10091 58.1 2 12A-2 Feb-60 19.05 11.91 12.57 5.94 48.8 50.5 18 2.42 63.60/14455 82.1 2.92 16A-2 Feb- 80 25.4 15.88 15.75 7.92 62.7 64.3 24 3.25 113.40/25773 141.8 5.15 20A-2 100-2 31.75 19.05 18.9 9.53 76.4 80.5 30 4 177.00/40227 219.4 7.8 24A-2 120-2 38.1 22.23 25.22 11.1 95.8 99.7 35.7 4.8 254.00/57727 314.9 11.7 28A-2 140-2 44.45 25.4 25.22 12.7 103.3 107.9 41 5.6 344.80/78364 427.5 15.14 32A-2 160-2 50.8 28.58 31.55 14.27 123.3 128.1 47.8 6.4 453.60/103091 562.4 20.14 36A-2 180-2 57.15 35.71 35.48 17.46 138.6 144.4 53.6 7.2 560.50/127386 695 29.22 40A-2 200-2 63.5 39.68 37.85 19.85 151.9 158.8 60 8 707.60/160818 877.4 32.24 08A-2 240-2 76.2 47.63 47.35 23.81 183.4 190.8 72.39 9.5 1020.60/213955 1255.3 45.23 * OEM Available	<b>Certificate</b>	ABS, LR, BV, DNVGL, NK, KR, IRS, RMRS, CCS



<b>Warranty</b>	12 Months unless specified otherwise	<b>Origin</b>	China
-----------------	--------------------------------------	---------------	-------



## Main Specification

DIN/ISO Chain No.	ANSI Chain No.	Pitch	Roller	Width	Pin Diameter	Pin Length		Inner plate depth	Plate Thickness	Ultimate tensile strength	Average tensile strength	weight Per Meter
						L	Lc					
						mm	mm					
*04C-2	*25-2	6.35	3.3	3.18	2.31	14.5	15	6	0.8	7.00/1591	8.6	0.28
*06C-2	*35-2	9.525	5.08	4.77	3.58	22.5	23.3	9	1.3	15.80/3591	19.7	0.63
085-2	Feb-41	12.7	7.77	6.25	3.58	25.7	26.9	9.91	1.3	13.34/3032	16.9	0.81



08A-2	Feb-40	12.7	7.95	7.85	3.96	3 1	3 2. 2	12	1.5	28.20/6 409	35.9	1.12
10A-2	Feb-50	15.875	10.16	9.4	5.08	3 8. 9	4 0. 4	15.09	2.03	44.40/1 0091	58.1	2
12A-2	Feb-60	19.05	11.91	12.57	5.94	4 8. 8	5 0. 5	18	2.42	63.60/1 4455	82.1	2.92
16A-2	Feb-80	25.4	15.88	15.75	7.92	6 2. 7	6 4. 3	24	3.25	113.40/ 25773	141.8	5.15
20A-2	100-2	31.75	19.05	18.9	9.53	7 6. 4	8 0. 5	30	4	177.00/ 40227	219.4	7.8
24A-2	120-2	38.1	22.23	25.22	11.1	9 5. 8	9 9. 7	35.7	4.8	254.00/ 57727	314.9	11.7
28A-2	140-2	44.45	25.4	25.22	12.7	1 0 3. 3	1 0 7. 9	41	5.6	344.80/ 78364	427.5	15.14
32A-2	160-2	50.8	28.58	31.55	14.27	1 2 3. 3	1 2 8. 1	47.8	6.4	453.60/ 103091	562.4	20.14
36A-2	180-2	57.15	35.71	35.48	17.46	1 3 8. 6	1 4 4. 4	53.6	7.2	560.50/ 127386	695	29.22
40A-2	200-2	63.5	39.68	37.85	19.85	1 5 1. 9	1 5 8. 8	60	8	707.60/ 160818	877.4	32.24
08A-2	240-2	76.2	47.63	47.35	23.81	1 8 3. 4	1 9 0. 8	72.39	9.5	1020.60 /213955	1255.3	45.23

\* OEM Available