

Jinbo Marine

Marine & Offshore Equipment Datasheet

PRODUCT DATASHEET

B SERIES SHORT PITCH PRECISION ROLLER CHAIN


Duplex Roller Chain(B Series)

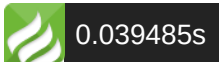
Main Specification DIN/ISO Chain No. Pitch Roller Width Pin Diameter Pin Length ...

ISO9001 Supplier

Class Certificate

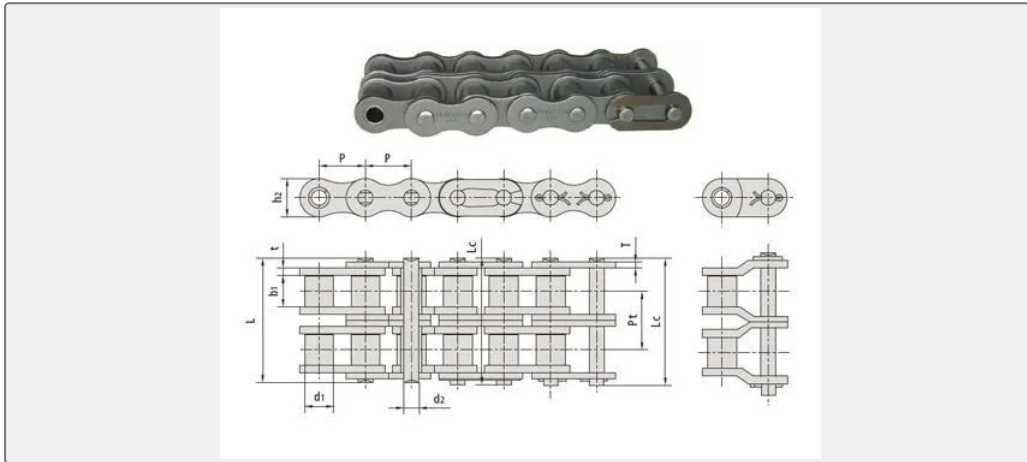
Export Supply

|  | Key Highlights | |
|---|--|---|
| | Category | B Series Short Pitch Precision Roller Chain |
| Standard | ISO | |
| Material | Steel | |
| Weight / Size | Pitch Roller Width Pin Diameter Pin Length Inner plate depth Plate Thic... | |
| Certificate | ABS, LR, BV, DNVGL, NK, KR, IRS, RMRS, CCS | |
| <p>We can supply according to your requirement, drawings, class certificate needs, and delivery schedule.</p> | | |



| Technical Specifications | | | |
|--------------------------|--|--------------------|---|
| Category | B Series Short Pitch Precision Roller Chain | Model / SKU | Duplex-Roller-Chain-B-Series |
| Standard | ISO | Material | Steel |
| Weight / Size | Pitch Roller Width Pin Diameter Pin Length Inner plate depth Plate Thickness Transverse Ultimate tensile strength Average tensile strength weight Per Meter P d1 b1 d2 L Lc h2 T pitch Q Q0 q mm mm mm mm mm mm mm mm Pt kN/LB kN kg/m 05B-2 8.000 5.00 3.00 2.31 13.90 14.50 7.10 0.8 5.64 7.8/1773 10.20 0.33 *06B-2 9.525 6.35 5.72 3.28 23.40 24.40 8.20 1.3 10.24 16.9/3841 18.70 0.77 08B-2 12.700 8.51 7.75 4.45 31.20 32.20 11.80 1.6 13.92 32.0/7273 38.70 1.34 10B-2 15.875 10.16 9.65 5.08 36.10 37.50 14.70 1.7 16.59 44.5/10114 56.20 1.84 12B-2 19.050 12.07 11.68 5.72 42.00 43.60 16.00 1.85 19.46 57.8/13136 66.10 2.31 16B- 2 25.400 15.88 17.02 8.28 68.00 69.30 21.00 4.15/3.1 31.88 106.0/24091 133.00 5.42 20B-2 31.750 19.05 19.56 10.19 77.80 81.50 26.40 4.5/3.5 36.45 170.0/38636 211.20 7.20 24B-2 38.100 25.40 25.40 14.63 101.70 106.20 33.20 6.0/4.8 48.36 280.0/63636 319.20 13.40 28B-2 44.450 27.94 30.99 15.90 124.60 129.10 36.70 7.5/6.0 59.56 360.0/81818 406.80 16.60 32B-2 50.800 29.21 30.99 17.81 124.60 129.60 42.00 7.0/6.0 58.55 450.0/102273 508.50 21.00 40B-2 63.500 39.37 38.10 22.89 154.50 161.50 52.96 8.5/8.0 72.29 630.0/133182 711.90 32.00 For more information, please free free to contact us. | Certificate | ABS, LR, BV, DNVGL, NK, KR, IRS, RMRS, CCS |
| Warranty | 12 Months unless specified otherwise | Origin | China |





Main Specification

| DIN/ISO Chain No. | Pitch | Roller | Width | Pin Diameter | Pin Length | | Inner plate depth | Plate Thickness | Transverse | Ultimate tensile strength | Average tensile strength | weight Per Meter |
|-------------------|--------|--------|-------|--------------|------------|-------|-------------------|-----------------|------------|---------------------------|--------------------------|------------------|
| | P | d1 | b1 | d2 | L | Lc | h2 | T | pitch | Q | Q0 | q |
| | mm | mm | mm | mm | mm | mm | mm | mm | Pt | kN/LB | kN | kg/m |
| 05B-2 | 8.000 | 5.00 | 3.00 | 2.31 | 13.90 | 14.00 | 7.10 | 0.8 | 5.64 | 7.8/1773 | 10.20 | 0.33 |
| *06B-2 | 9.525 | 6.35 | 5.72 | 3.28 | 23.40 | 24.00 | 8.20 | 1.3 | 10.24 | 16.9/3841 | 18.70 | 0.77 |
| 08B-2 | 12.700 | 8.51 | 7.75 | 4.45 | 31.20 | 32.00 | 11.80 | 1.6 | 13.92 | 32.0/7273 | 38.70 | 1.34 |



| | | | | | | | | | | | | |
|-------|--------|-------|-------|-------|------------------------|------------------------|-------|----------|-------|------------------|--------|-------|
| 10B-2 | 15.875 | 10.16 | 9.65 | 5.08 | 3 6. 1 0 | 3 7. 5 0 | 14.70 | 1.7 | 16.59 | 44.5/10 114 | 56.20 | 1.84 |
| 12B-2 | 19.050 | 12.07 | 11.68 | 5.72 | 4 2. 0 0 | 4 3. 6 0 | 16.00 | 1.85 | 19.46 | 57.8/13 136 | 66.10 | 2.31 |
| 16B-2 | 25.400 | 15.88 | 17.02 | 8.28 | 6 8. 0 0 | 6 9. 3 0 | 21.00 | 4.15/3.1 | 31.88 | 106.0/2 4091 | 133.00 | 5.42 |
| 20B-2 | 31.750 | 19.05 | 19.56 | 10.19 | 7 7. 8 0 | 8 1. 5 0 | 26.40 | 4.5/3.5 | 36.45 | 170.0/3 8636 | 211.20 | 7.20 |
| 24B-2 | 38.100 | 25.40 | 25.40 | 14.63 | 1 0 1. 7 0 | 1 6. 2 0 | 33.20 | 6.0/4.8 | 48.36 | 280.0/6 3636 | 319.20 | 13.40 |
| 28B-2 | 44.450 | 27.94 | 30.99 | 15.90 | 1 2 4. 6 0 | 1 9. 1 0 | 36.70 | 7.5/6.0 | 59.56 | 360.0/8 1818 | 406.80 | 16.60 |
| 32B-2 | 50.800 | 29.21 | 30.99 | 17.81 | 1 2 4. 6 0 | 1 9. 6 0 | 42.00 | 7.0/6.0 | 58.55 | 450.0/1 02273 | 508.50 | 21.00 |
| 40B-2 | 63.500 | 39.37 | 38.10 | 22.89 | 1 5 4. 5 0 | 1 6 1. 5 0 | 52.96 | 8.5/8.0 | 72.29 | 630.0/1 33182 | 711.90 | 32.00 |

For more information, please free free to contact us.