

# Jinbo Marine

Marine & Offshore Equipment Datasheet

PRODUCT DATASHEET

## SEARCH LIGHT SERIES

# E101HB Signal Search Light

Application Applied to illumination of military ship and ship, decks, dock, plaza and working areas. Product Feature 1. The body is made of stainless steel, lampshade is transparent toughened glass. ...

ISO9001 Supplier

Class Certificate

Export Supply



## Key Highlights

Category	Search Light Series
Standard	GB
Material	The body is made of stainless steel, lampshade is transparent toughened ...
Weight / Size	Specification Type Voltage Power Shine Distance Lamp Holder Light Source...
Certificate	ABS, LR, BV, DNVGL, NK, KR, IRS, RMRS, CCS

We can supply according to your requirement, drawings, class certificate needs, and delivery schedule.

Technical Specifications			
<b>Category</b>	Search Light Series	<b>Model / SKU</b>	E101HB-Signal-Search-Light
<b>Standard</b>	GB	<b>Material</b>	The body is made of stainless steel, lampshade is transparent toughened glass.
<b>Weight / Size</b>	Specification Type Voltage Power Shine Distance Lamp Holder Light Source Weight E101HB 220V-240V 1000W 570M GY9.5 Tungsten Halogen Lamp 31.5kg EF31-IB 220V-240V 300W 300M GY9.5 Tungsten Halogen Lamp 10.5kg EF51-IB 220V-240V 500W 380M GY9.5 Tungsten Halogen Lamp 10.5kg EF101-IB 220V-240V 1000W 570M GY9.5 Tungsten Halogen Lamp 10.5kg EF201-IB 220V-240V 2000W 1600M GY16 Tungsten Halogen Lamp 16.0kg	<b>Certificate</b>	ABS, LR, BV, DNVGL, NK, KR, IRS, RMRS, CCS
<b>Warranty</b>	12 Months unless specified otherwise	<b>Origin</b>	China

CONTENTS	Application	Product Feature
	Standard	Specification

## Application

Applied to illumination of military ship and ship, decks, dock, plaza and working areas.

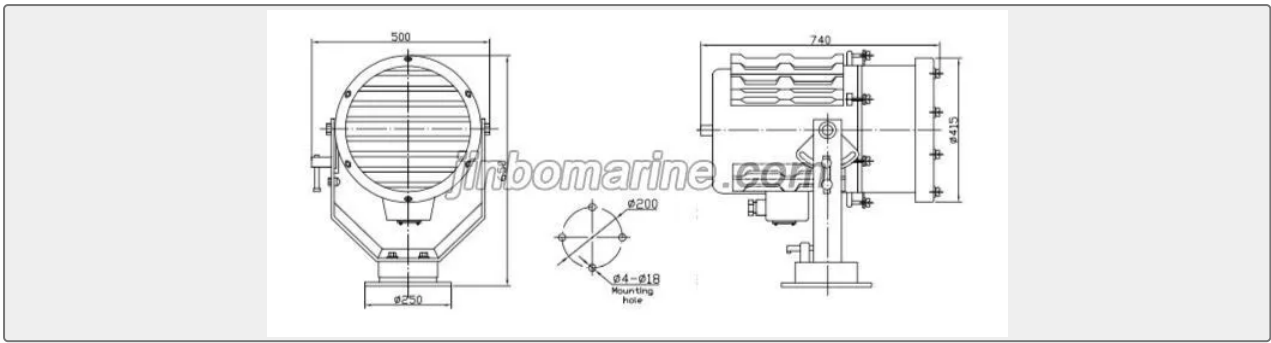
## Product Feature

1. The body is made of stainless steel, lampshade is transparent toughened glass.
2. It is operated on the deck, adjust up and down +/- 30 degree, 360 degree horizontally.
3. Protection Glass is IP56.

## Standard

1. Chapter 3, Part 4 of Classification Society Rules for Classification of Sea-going Steel Ships 2015 and its Amendments;
2. GB7000.1-2015 , Luminaires –Part1:General requirements and tests.

## Specification



Type	Voltage	Power	Shine Distance	Lamp Holder	Light Source	Weight
E101HB	220V-240V	1000W	570M	GY9.5	Tungsten Halogen Lamp	31.5kg
EF31-IB	220V-240V	300W	300M	GY9.5	Tungsten Halogen Lamp	10.5kg
EF51-IB	220V-240V	500W	380M	GY9.5	Tungsten Halogen Lamp	10.5kg
EF101-IB	220V-240V	1000W	570M	GY9.5	Tungsten Halogen Lamp	10.5kg
EF201-IB	220V-240V	2000W	1600M	GY16	Tungsten Halogen Lamp	16.0kg