

Jinbo Marine

Marine & Offshore Equipment Datasheet

PRODUCT DATASHEET

SEARCH LIGHT SERIES

EF31-AB Remote Control Search Light

Application Applied to illumination of military ship and ship, decks, dock, plaza and working areas. Product Feature 1. The body is made of stainless steel, lampshade is transparent toughened glass. ...

ISO9001 Supplier

Class Certificate

Export Supply



Key Highlights

Category	Search Light Series
Standard	GB
Material	The body is made of stainless steel, lampshade is transparent toughened ...
Weight / Size	Specification Type Voltage Power Shine Distance Lamp Holder Light Source...
Certificate	ABS, LR, BV, DNVGL, NK, KR, IRS, RMRS, CCS

We can supply according to your requirement, drawings, class certificate needs, and delivery schedule.

Technical Specifications			
Category	Search Light Series	Model / SKU	EF31-AB-Remote-Control-Search-Light
Standard	GB	Material	The body is made of stainless steel, lampshade is transparent toughened glass.
Weight / Size	Specification Type Voltage Power Shine Distance Lamp Holder Light Source Weight EF31-AB 220V-240V 300W 300M GY9.5 Tungsten Halogen Lamp 18.5kg EF51-AB 220V-240V 500W 380M GY9.5 Tungsten Halogen Lamp 18.5kg EF101-AB 220V-240V 1000W 570M GY9.5 Tungsten Halogen Lamp 32kg EF201-AB 220V-240V 2000W 1600M GY16 Tungsten Halogen Lamp 32kg	Certificate	ABS, LR, BV, DNVGL, NK, KR, IRS, RMRS, CCS
Warranty	12 Months unless specified otherwise	Origin	China

CONTENTS			
■ Application	■ Product Feature	■ Standard	■ Specification

Application

Applied to illumination of military ship and ship, decks, dock, plaza and working areas.

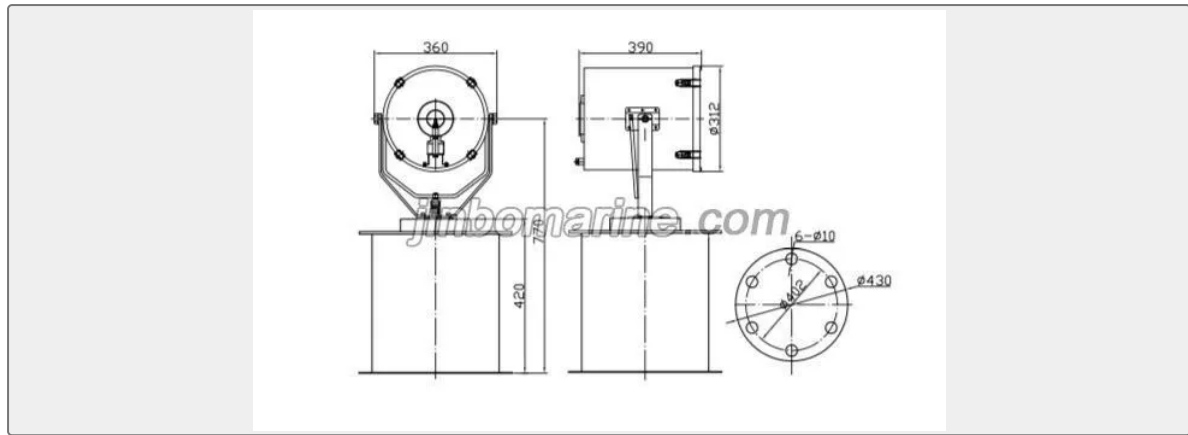
Product Feature

1. The body is made of stainless steel, lampshade is transparent toughened glass.
2. It is operated on the deck, adjust up and down +/- 30 degree, 360 degree horizontally.
3. Protection Glass is IP56.

Standard

1. Chapter 3, Part 4 of Classification Society Rules for Classification of Sea-going Steel Ships 2015 and its Amendments;
2. GB7000.1-2015 , Luminaires –Part1:General requirements and tests.

Specification



Type	Voltage	Power	Shine Distance	Lamp Holder	Light Source	Weight
EF31-AB	220V-240V	300W	300M	GY9.5	Tungsten Halogen Lamp	18.5kg
EF51-AB	220V-240V	500W	380M	GY9.5	Tungsten Halogen Lamp	18.5kg
EF101-AB	220V-240V	1000W	570M	GY9.5	Tungsten Halogen Lamp	32kg
EF201-AB	220V-240V	2000W	1600M	GY16	Tungsten Halogen Lamp	32kg