

# Jinbo Marine

Marine & Offshore Equipment Datasheet

PRODUCT DATASHEET

## SEARCH LIGHT SERIES

# EF31B Marine Search Light

Application Applied to illumination of military ship and ship, decks, dock, plaza and working areas. Product Feature 1. The body is made of stainless steel, lampshade is transparent toughened glass. ...

ISO9001 Supplier

Class Certificate

Export Supply



### Key Highlights

|               |   |
|---------------|---|
| Category      | Search Light Series   |
| Standard      | GB  |
| Material      | The body is made of stainless steel, lampshade is transparent toughened ... |
| Weight / Size | Specification Type Voltage Power Shine Distance Lamp Holder Light Source... |
| Certificate   | ABS, LR, BV, DNVGL, NK, KR, IRS, RMRS, CCS                                  |

We can supply according to your requirement, drawings, class certificate needs, and delivery schedule.

| Technical Specifications |   |                    |  |
|--------------------------|---|--------------------|--|
| <b>Category</b>          | Search Light Series   | <b>Model / SKU</b> | EF31B-Marine-Search-Light  |
| <b>Standard</b>          | GB  | <b>Material</b>    | The body is made of stainless steel, lampshade is transparent toughened glass. |
| <b>Weight / Size</b>     | Specification Type Voltage Power Shine Distance Lamp Holder Light Source Weight EF31B 220V-240V 300W 300M GY9.5 Tungsten Halogen Lamp 12.5kg EF51B 220V-240V 500W 380M GY9.5 Tungsten Halogen Lamp 18kg EF101B 220V-240V 1000W 570M GY9.5 Tungsten Halogen Lamp 12.5kg EF201B 220V-240V 2000W 1600M GY16 Tungsten Halogen Lamp 22.0kg | <b>Certificate</b> | ABS, LR, BV, DNVGL, NK, KR, IRS, RMRS, CCS                                     |
| <b>Warranty</b>          | 12 Months unless specified otherwise  | <b>Origin</b>      | China  |

|                 |   |  |
|-----------------|---|--|
| <b>CONTENTS</b> | <ul style="list-style-type: none"> <li>■ Application</li> <li>■ Standard</li> </ul> | <ul style="list-style-type: none"> <li>■ Product Feature</li> <li>■ Specification</li> </ul> |
|-----------------|---|--|

## Application

Applied to illumination of military ship and ship, decks, dock, plaza and working areas.

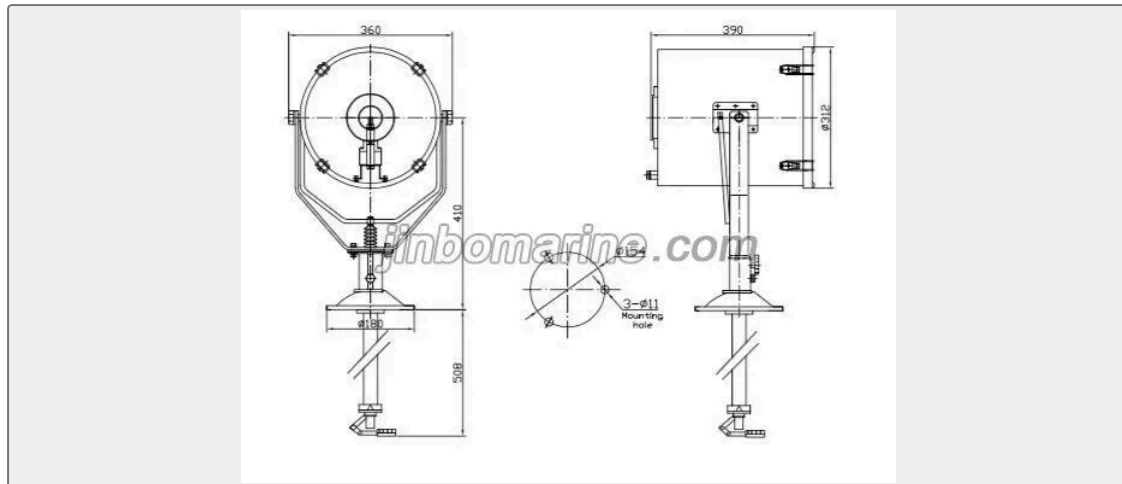
## Product Feature

1. The body is made of stainless steel, lampshade is transparent toughened glass.
2. It is operated on the deck, adjust up and down +/- 30 degree, 360 degree horizontally.
3. Protection Glass is IP56.

## Standard

1. Chapter 3, Part 4 of Classification Society Rules for Classification of Sea-going Steel Ships 2015 and its Amendments;
2. GB7000.1-2015 , Luminaires –Part1:General requirements and tests.

## Specification



| Type   | Voltage   | Power | Shine Distance | Lamp Holder | Light Source          | Weight |
|--------|-----------|-------|----------------|-------------|-----------------------|--------|
| EF31B  | 220V-240V | 300W  | 300M           | GY9.5       | Tungsten Halogen Lamp | 12.5kg |
| EF51B  | 220V-240V | 500W  | 380M           | GY9.5       | Tungsten Halogen Lamp | 18kg   |
| EF101B | 220V-240V | 1000W | 570M           | GY9.5       | Tungsten Halogen Lamp | 12.5kg |
| EF201B | 220V-240V | 2000W | 1600M          | GY16        | Tungsten Halogen Lamp | 22.0kg |