

# Jinbo Marine

Marine &amp; Offshore Equipment Datasheet

PRODUCT DATASHEET

## SEARCH LIGHT SERIES

## EG101-AB Remote Control Search Light

ISO9001 Supplier

Class Certificate

Export Supply

Application Applied to illumination of military ship and ship, decks, dock, plaza and working areas. Product Feature 1. The body is made of stainless steel, lampshade is transparent toughened glass. ...



### Key Highlights

<b>Category</b>	Search Light Series
<b>Standard</b>	GB
<b>Material</b>	The body is made of stainless steel, lampshade is transparent toughened ...
<b>Weight / Size</b>	Specification Type Voltage Power Shine Distance Lamp Holder Light Source...
<b>Certificate</b>	ABS, LR, BV, DNVGL, NK, KR, IRS, RMRS, CCS

We can supply according to your requirement, drawings, class certificate needs, and delivery schedule.

### Technical Specifications

<b>Category</b>	Search Light Series	<b>Model / SKU</b>	EG101-AB-Remote-Control-Search-Light
<b>Standard</b>	GB	<b>Material</b>	The body is made of stainless steel, lampshade is transparent toughened glass.
<b>Weight / Size</b>	Specification Type Voltage Power Shine Distance Lamp Holder Light Source Weight EG101-AB 220V-240V 1000W 1800M Special Mercury Xenon Lamp 75kg	<b>Certificate</b>	ABS, LR, BV, DNVGL, NK, KR, IRS, RMRS, CCS
<b>Warranty</b>	12 Months unless specified otherwise	<b>Origin</b>	China

**CONTENTS**

- Application
- Standard

- Product Feature
- Specification

**Application**

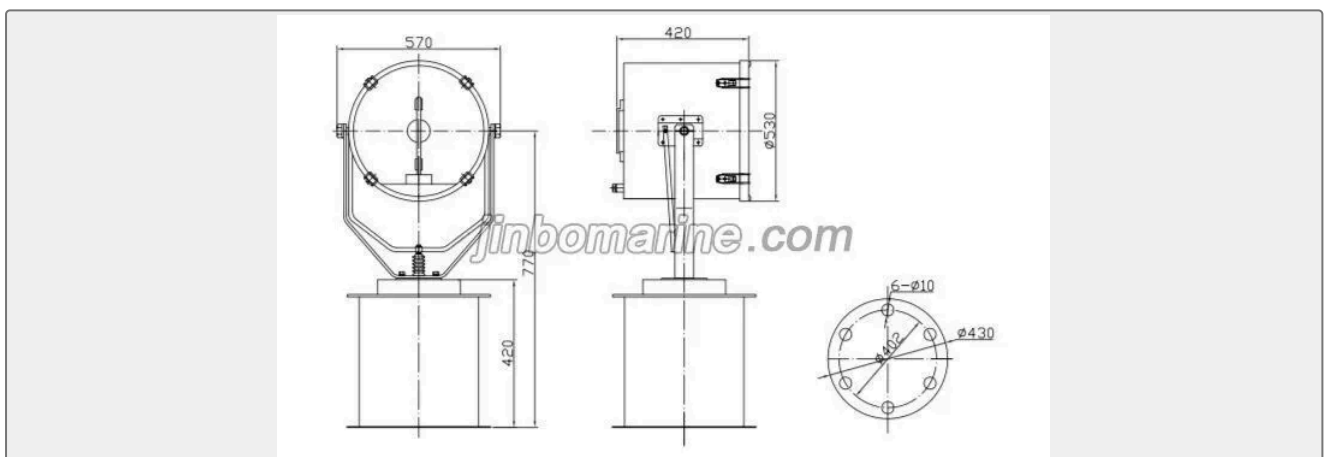
Applied to illumination of military ship and ship, decks, dock, plaza and working areas.

**Product Feature**

1. The body is made of stainless steel, lampshade is transparent toughened glass.
2. It is operated on the deck, adjust up and down +/- 30 degree, 360 degree horizontally.
3. Protection Glass is IP56.

**Standard**

1. Chapter 3, Part 4 of Classification Society Rules for Classification of Sea-going Steel Ships 2015 and its Amendments;
2. GB7000.1-2015 , Luminaires –Part1:General requirements and tests.

**Specification**

Type	Voltage	Power	Shine Distance	Lamp Holder	Light Source	Weight
EG101-AB	220V-240V	1000W	1800M	Special	Mercury Xenon Lamp	75kg