

# Jinbo Marine

Marine & Offshore Equipment Datasheet

PRODUCT DATASHEET

MARINE TOOLS

## ESD Series-Single Stage Hydraulic Bolt Tensioner

ISO9001 Supplier

Class Certificate

Export Supply

ESD Series-Single Stage Hydraulic Bolt Tensioner &nbsp; &nbsp; It is mainly used for 10.9 grade high strength bolts. The design of automatic quick return mechanism greatly reduces labor intensity. Super stroke red...



*jinbomarine.com*

### Key Highlights

Category	Marine Tools
Standard	EN
Certificate	ABS, LR, BV, DNVGL, NK, KR, IRS, RMRS, CCS

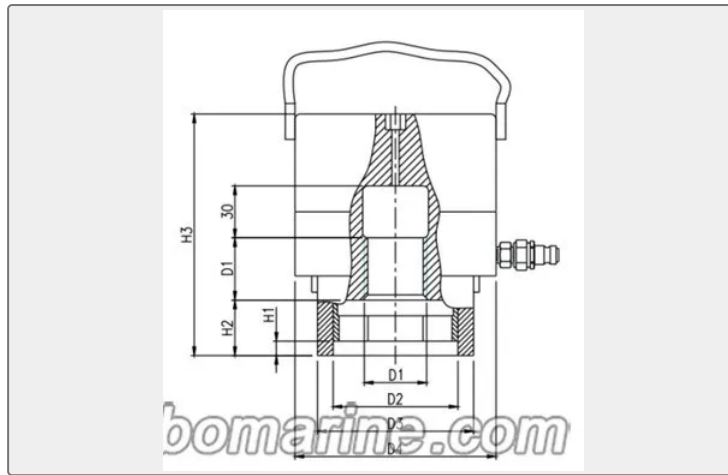
We can supply according to your requirement, drawings, class certificate needs, and delivery schedule.

### Technical Specifications

Category	Marine Tools	Model / SKU	ESD-Series-Single-Stage-Hydraulic-Bolt-Tensioner
Standard	EN	Certificate	ABS, LR, BV, DNVGL, NK, KR, IRS, RMRS, CCS
Warranty	12 Months unless specified otherwise	Origin	China

### China ESD Series-Single Stage Hydraulic Bolt Tensioner:

ESD Series-Single Stage Hydraulic Bolt Tensioner



It is mainly used for 10.9 grade high strength bolts.

The design of automatic quick return mechanism greatly reduces labor intensity.

Super stroke red warning line,three level safety protection to ensure operator safety.

Model	Thread D1	Nut to the Side	Tensile Force	D2	D3	D4	H1	H2	H3
	m m								
ESD 20	M 20X2.5	30	200	42	52	65	6	19	94
ESD 24	M 24X3	36	290	49	60	78	8	22	102
ESD 27	M 27X3	41	380	55	67	86	10	25	108
ESD 30	M 30X3.5	46	460	61	74	97	12	27	106
ESD 33	M 33X3.5	50	570	66	81	107	14	29	114
ESD 36	M 36X4	55	670	71	90	117	16	32	118
ESD 39	M 39X4	60	800	77	96	127	18	34	125
ESD 42	M 42X4.5	65	920	83	102	137	20	37	134
ESD 45	M 45X4.5	70	1080	89	110	148	22	39	135
ESD 48	M 48X5	75	1220	94	116	158	24	42	140
ESD 52	M 52X5	80	1450	102	128	169	28	46	151
ESD 56	M 56X5.5	85	1680	106	135	179	31	49	158
ESD 60	M 60X5.5	90	2010	114	142	199	34	52	167
ESD 64	M 64X6	95	2210	120	151	211	37	55	172
ESD 68	M 68X6	100	2600	124	155	228	40	58	180
ESD 72	M 72X6	105	2880	130	168	238	44	62	186
ESD 76	M 76X6	110	3320	139	180	259	48	66	197
ESD 80	M 80X6	115	3610	142	188	267	50	68	202
ESD 90	M 90X6	130	4650	160	210	300	58	77	220

ESD 100	M 100X6	145	5830	178	237	340	66	85	240
---------	---------	-----	------	-----	-----	-----	----	----	-----