

# Jinbo Marine

Marine & Offshore Equipment Datasheet

PRODUCT DATASHEET

TURNBUCKLE

## EU Closed Body Turnbuckle

SIZE M A B C D E H M5 KJ5 12.5 80 ...

- ISO9001 Supplier
- Class Certificate
- Export Supply



### Key Highlights

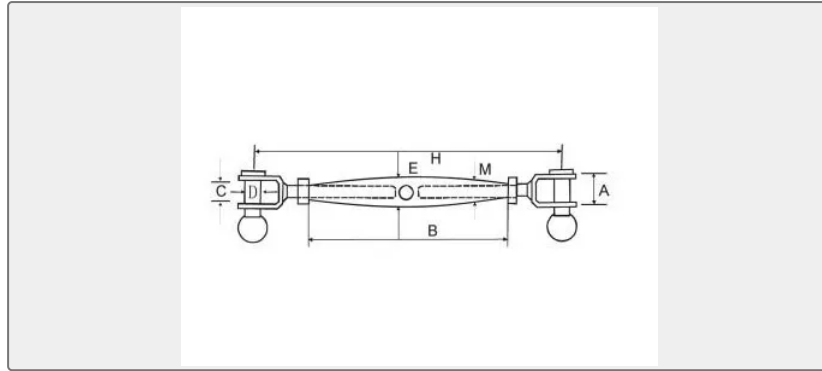
Category	Turnbuckle
Material	Stainless steel
Weight / Size	SIZE M A B C D E H M5 KJ5 12.5 80 7.5 4.8 8.5 128 M6 6 15 92 9 5.8 10 14...
Certificate	ABS, LR, BV, DNVGL, NK, KR, IRS, RMRS, CCS

We can supply according to your requirement, drawings, class certificate needs, and delivery schedule.

### Technical Specifications

Category	Turnbuckle	Model / SKU	EU-CLOSED-BODY-TURNBUCKLE
Material	Stainless steel	Weight / Size	SIZE M A B C D E H M5 KJ5 12.5 80 7.5 4.8 8.5 128 M6 6 15 92 9 5.8 10 145 M8 8 17 112 11 7.8 13.5 174 M10 10 20 120 12 9.8 17 204 M12 12 24 150 15 11.8 21 256 M14 14 28 170 18 13.8 23 290 M16 16 32.6 190 21 15.8 27 327 M20 20 37 210 24 19.8 33 380 M22 22 — — — 21.8 — — M24 24 — — — 23.8 — — M36 36 69 300 45 35 — 584
Certificate	ABS, LR, BV, DNVGL, NK, KR, IRS, RMRS, CCS	Warranty	12 Months unless specified otherwise
Origin	China		

## China EU Closed Body Turnbuckle:



SIZE	M	A	B	C	D	E	H
M5	KJ5	12.5	80	7.5	4.8	8.5	128
M6	6	15	92	9	5.8	10	145
M8	8	17	112	11	7.8	13.5	174
M10	10	20	120	12	9.8	17	204
M12	12	24	150	15	11.8	21	256
M14	14	28	170	18	13.8	23	290
M16	16	32.6	190	21	15.8	27	327
M20	20	37	210	24	19.8	33	380
M22	22	—	—	—	21.8	—	—
M24	24	—	—	—	23.8	—	—
M36	36	69	300	45	35	—	584