

Jinbo Marine

Marine & Offshore Equipment Datasheet

PRODUCT DATASHEET

TURNBUCKLE

EU Type Turnbuckle

SIZE A B C D L L1 WLL(T) M4 30 58 5 ...

ISO9001 Supplier

Class Certificate

Export Supply



Key Highlights

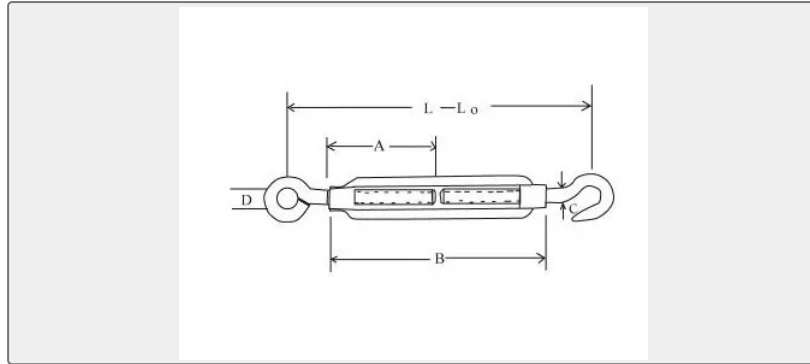
Category	Turnbuckle
Material	Stainless steel
Weight / Size	SIZE A B C D L L1 WLL(T) M4 30 58 5 6.5 80 131 0.025 M5 34 70 6 8 96 146... 34 70 6 8 96 146...
Certificate	ABS, LR, BV, DNVGL, NK, KR, IRS, RMRS, CCS

We can supply according to your requirement, drawings, class certificate needs, and delivery schedule.

Technical Specifications

Category	Turnbuckle	Model / SKU	EU-TYPE-TURNBUCKLE
Material	Stainless steel	Weight / Size	SIZE A B C D L L1 WLL(T) M4 30 58 5 6.5 80 131 0.025 M5 34 70 6 8 96 146 0.04 M6 44 90 8 10 122 190 0.1 M8 58 120 12 14 164 255 0.2 M10 73 150 13 16 205 325 0.3 M12 97 200 15 18 264 425 0.5 M14 110 225 18 20 300 486 0.7 M16 122 250 20 26 337 548 0.8 M20 147 300 25 30 406 646 1.2
Certificate	ABS, LR, BV, DNVGL, NK, KR, IRS, RMRS, CCS	Warranty	12 Months unless specified otherwise
Origin	China		

China EU Type Turnbuckle:



SIZE	A	B	C	D	L	L1	WLL(T)
M4	30	58	5	6.5	80	131	0.025
M5	34	70	6	8	96	146	0.04
M6	44	90	8	10	122	190	0.1
M8	58	120	12	14	164	255	0.2
M10	73	150	13	16	205	325	0.3
M12	97	200	15	18	264	425	0.5
M14	110	225	18	20	300	486	0.7
M16	122	250	20	26	337	548	0.8
M20	147	300	25	30	406	646	1.2