

Jinbo Marine

Marine & Offshore Equipment Datasheet

PRODUCT DATASHEET

MARINE CHOCK

EU Type Bulwark Mounting Chock

 Our chock and other mooring equipment have been export to all over the world.
 Feature: 1.Strict quality control. 2.Can issue BV,CCS,mill certificate. 3.Material: ZG200-400,ZG2...

- ISO9001 Supplier
- Class Certificate
- Export Supply



Key Highlights

Category	Marine Chock
Standard	EN
Material	Cast Steel
Weight / Size	Size Chart:
Certificate	BV,CCS,mill certificate.

We can supply according to your requirement, drawings, class certificate needs, and delivery schedule.

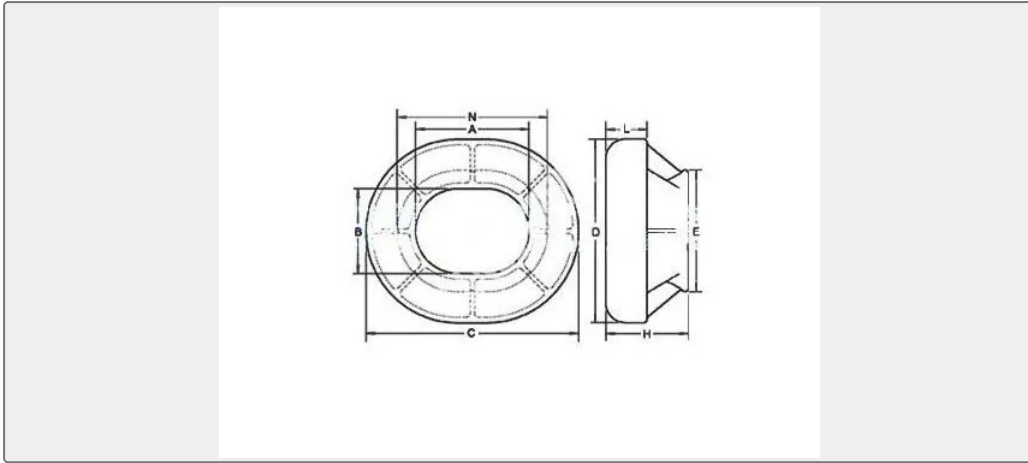
Technical Specifications

Category	Marine Chock	Model / SKU	EU-Type-Bulwark-Mounting-Chock
Standard	EN	Material	Cast Steel
Weight / Size	Size Chart:	Surface	Steel Pallet 6.surface in contact with the rope in use been finished smoothly.
Certificate	BV,CCS,mill certificate.	Warranty	12 Months unless specified otherwise
Origin	China		

CONTENTS	■ China EU Type Bulwark Mounting Chock:	■ Feature:
	■ Size Chart:	



China EU Type Bulwark Mounting Chock:



Our [chock](#) and other mooring equipment have been export to all over the world.

Feature:

- 1.Strict quality control.
- 2.Can issue BV,CCS,mill certificate.
- 3.Material: ZG200-400,ZG230-450.
- 4.Paint:Grey Epoxy Primer or Black Bitumen Paint,also can do comply with your requirement for the thickness.
- 5.Packing: Steel Pallet
- 6.surface in contact with the rope in use been finished smoothly.

Size Chart:

EU type Bulwark Mounted Chock									
Product No.	Dimension(mm)								Mass(kgs)
	A	B	C	D	E	H	L	N	
BME-001	315	250	695	630	432	342	168	497	198
BME-002	425	280	925	780	516	450	224	661	358
BME-003	600	315	1160	875	571	504	250	866	547
BME-004	600	450	1160	1010	706	504	260	856	850
BME-005	800	600	1500	1300	860	580	290	1060	1200
BME-006	1000	800	1760	1560	1250	700	350	1450	1580

