

**MARINE CHOCK**

# EU Type Deck Mounting Chock

The Chock and other deck fittings are used by military and industrial ships, operating effectively throughout the world. We designs and manufactures marine equipments in a wide variety of sizes and styles. Feature...

- ISO9001 Supplier
- Class Certificate
- Export Supply



### Key Highlights

<b>Category</b>	Marine Chock
<b>Standard</b>	EN
<b>Material</b>	Cast Steel
<b>Weight / Size</b>	The Chock and other deck fittings are used by military and industrial sh...
<b>Certificate</b>	BV,CCS,ABS,mill certificate

We can supply according to your requirement, drawings, class certificate needs, and delivery schedule.

### Technical Specifications

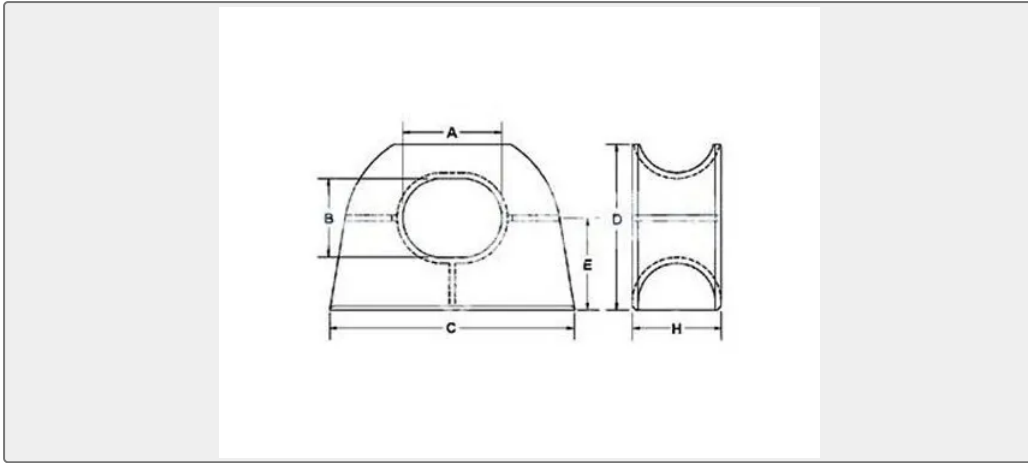
<b>Category</b>	Marine Chock	<b>Model / SKU</b>	EU-Type-Deck-Mounting-Chock
<b>Standard</b>	EN	<b>Material</b>	Cast Steel
<b>Weight / Size</b>	The Chock and other deck fittings are used by military and industrial ships, operating effectively throughout the world. We designs and manufactures marine equipments in a wide variety of sizes and styles.	<b>Surface</b>	Steel Pallet 6.surface in contact with the rope in use been finished smoothly.
<b>Certificate</b>	BV,CCS,ABS,mill certificate	<b>Warranty</b>	12 Months unless specified otherwise
<b>Origin</b>	China		

**CONTENTS**

- China EU Type Deck Mounting Chock:
- Feature:
- Size Chart:



## China EU Type Deck Mounting Chock:



The Chock and other deck fittings are used by military and industrial ships, operating effectively throughout the world. We designs and manufactures marine equipments in a wide variety of sizes and styles.

### Feature:

1. Strict quality control.
2. Can issue BV, CCS, DNV, ABS, mill certificate
3. Material: ZG200-400, ZG230-450.
4. Paint: Grey Epoxy Primer or Black Bitumen Paint, also can do comply with your requirement for the thickness.
5. Packing: Steel Pallet
6. surface in contact with the rope in use been finished smoothly.

### Size Chart:

EU type <a href="#">Deck Mounted Chock</a>							
Product No.	Dimension(mm)						Mass(kgs)
	A	B	C	D	E	H	
DME-001	315	250	815	620	365	380	230
DME-002	425	280	1075	785	450	500	378
DME-003	500	400	1340	900	506	560	608
DME-004	500	400	1238	840	467	450	500
DME-005	600	315	1360	865	507	560	598
DME-006	600	450	1360	1000	575	560	820



DME-007	600	450	1560	1200	675	760	1200
DME-008	800	600	1700	1160	640	580	1430