

Jinbo Marine

Marine & Offshore Equipment Datasheet

PRODUCT DATASHEET

EYE BOLTS & NUTS

Eye Bolt JIS 1168

SIZE A mm B mm C mm D mm E mm L mm WLL T M6 26 14...

ISO9001 Supplier

Class Certificate

Export Supply



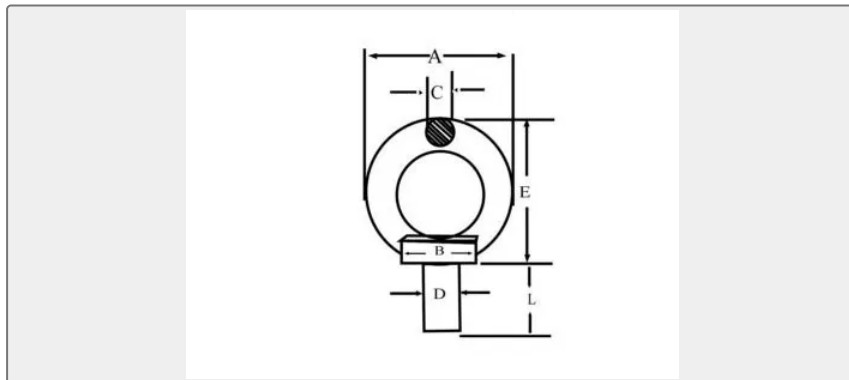
Key Highlights

Category	Eye Bolts & Nuts
Standard	JIS
Material	Stainless steel
Weight / Size	SIZE A mm B mm C mm D mm E mm L mm WLL T M6 26 14 5.1 6 27.2 13 0.05 M8 ...
Certificate	ABS, LR, BV, DNVGL, NK, KR, IRS, RMRS, CCS

We can supply according to your requirement, drawings, class certificate needs, and delivery schedule.

Technical Specifications			
Category	Eye Bolts & Nuts	Model / SKU	EYE-BOLT-JIS-1168
Standard	JIS	Material	Stainless steel
Weight / Size	SIZE A mm B mm C mm D mm E mm L mm WLL T M6 26 14 5.1 6 27.2 13 0.05 M8 32.6 15 6.3 8 33.3 15 0.08 M10 41 20 8 10 41.5 18 0.15 M12 50 24 10 12 51 22 0.22 M14 56 26.5 11.5 14 56 25 0.3 M16 60 29 12.5 16 60 27 0.45 M18 67 31 14.5 18 66 28 0.5 M20 72 33 16 20 71 30 0.63 M22 81 35 18 22 80.5 35 0.8 M24 90 38 20 24 90 38 0.95 M36 126 67 28 36 122 55 2.3 M42 151 80 35.5 42 150.5 65 3.4 M48 170 90 40 48 170 70 4.5 M64 210 110 50 64 210 90 9 M80 266 130 63 80 263 105 15 M90 302 150 71 90 301 120 18 M100 340 170 80 100 335 130 20	Certificate	ABS, LR, BV, DNVGL, NK, KR, IRS, RMRS, CCS
Warranty	12 Months unless specified otherwise	Origin	China

China Eye Bolt JIS 1168:



SIZE	A mm	B mm	C mm	D mm	E mm	L mm	WLL T
M6	26	14	5.1	6	27.2	13	0.05
M8	32.6	15	6.3	8	33.3	15	0.08
M10	41	20	8	10	41.5	18	0.15
M12	50	24	10	12	51	22	0.22
M14	56	26.5	11.5	14	56	25	0.3



M16	60	29	12.5	16	60	27	0.45
M18	67	31	14.5	18	66	28	0.5
M20	72	33	16	20	71	30	0.63
M22	81	35	18	22	80.5	35	0.8
M24	90	38	20	24	90	38	0.95
M36	126	67	28	36	122	55	2.3
M42	151	80	35.5	42	150.5	65	3.4
M48	170	90	40	48	170	70	4.5
M64	210	110	50	64	210	90	9
M80	266	130	63	80	263	105	15
M90	302	150	71	90	301	120	18
M100	340	170	80	100	335	130	20