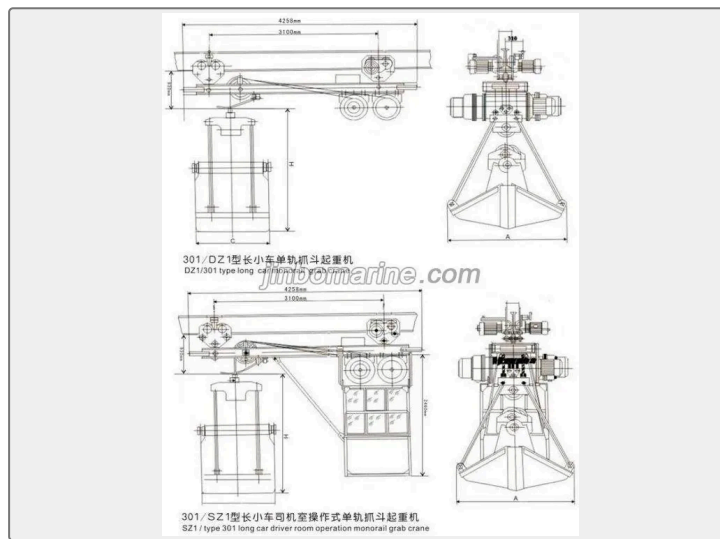
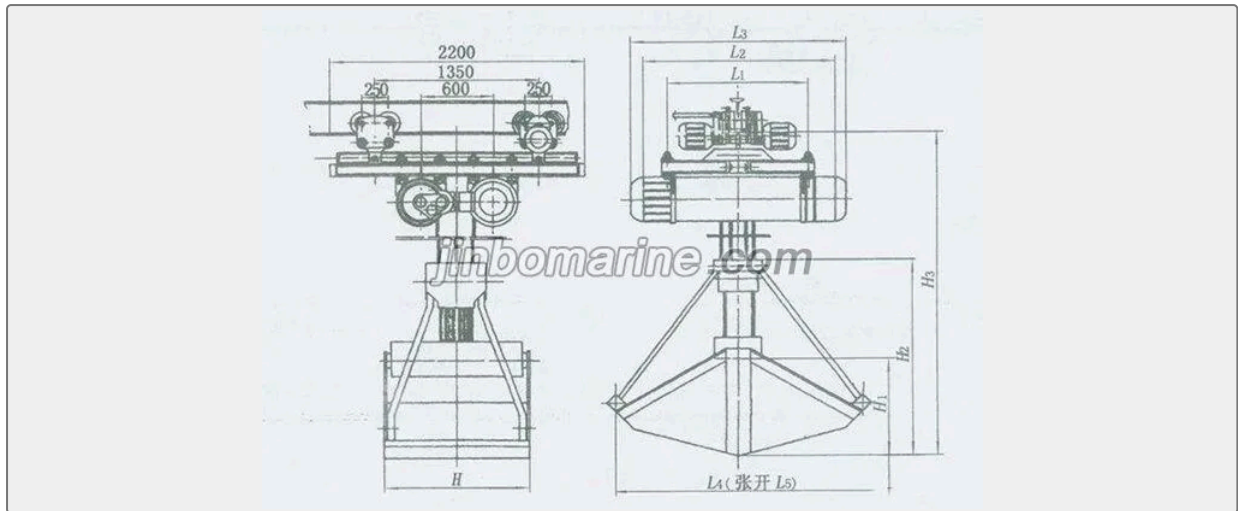


Electric Monorail Grab Bucket



Electric Monorail Grab Bucket Technical Specifications

Model	Volume (m ³)	Rate (t/m ³)	The Dia.of pulley (mm)	The Dia.Of steel rope (mm)	Elevating capacity (t)
DZ12-1	0.5	1	300	13	3
DZ12-2	0.75	1	350	13	3
DZ12-3	1	1	350	15	5
DZ12-4	1.5	1	350	15	5
DZ12-5	0.75	0.6-1.2	250	13	3
DZ12-6	0.3	1.2-1.8	250	11	2
DZ12-7	0.5	1	250	13	3
DZ12-8	1.5	1	350	15	5