

## MARINE WINCH

## Electric Winch for Accommodation Ladder

ISO9001 Supplier

Class Certificate

Export Supply

The electric winch is a short-time working machinery mainly for hoisting and lowering the ship's accommodation ladder. It is with compact structure, equipped with electric control switch. It is reliable and easy in op...



### Key Highlights

Category	Marine Winch
Standard	ISO
Material	Steel
Certificate	CCS,DNV,GL, LR, ABS, BV, NK,KR,RINA

We can supply according to your requirement, drawings, class certificate needs, and delivery schedule.

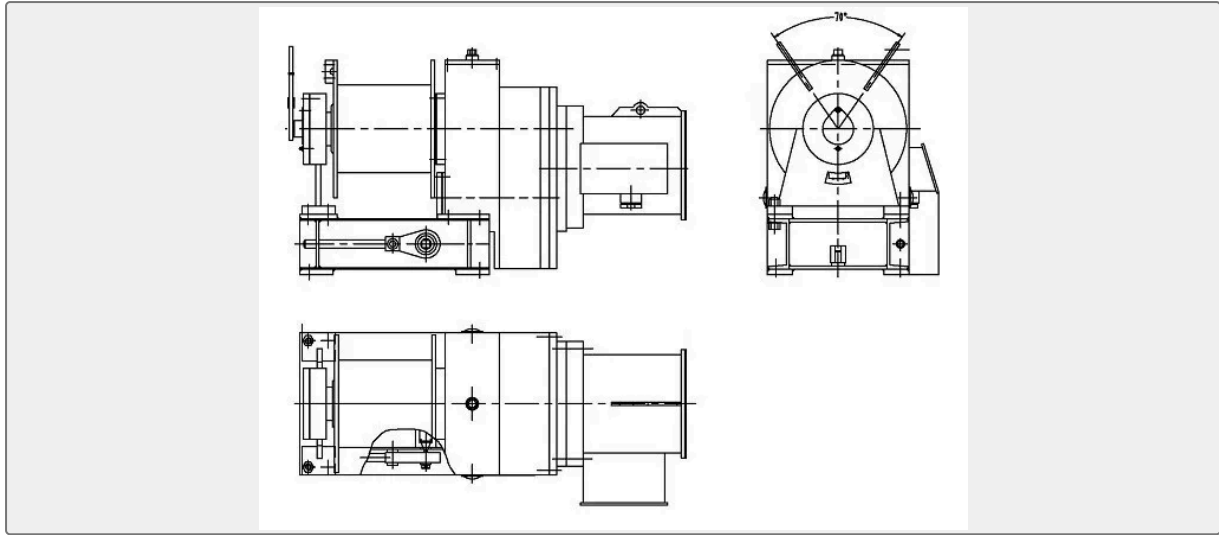
### Technical Specifications

Category	Marine Winch	Model / SKU	Electric-Winch-for-Accommodation-Ladder
Standard	ISO	Material	Steel
Certificate	CCS,DNV,GL, LR, ABS, BV, NK,KR,RINA	Warranty	12 Months unless specified otherwise
Origin	China		

#### CONTENTS

- China Electric Winch for Accommodation Ladder:
- Main Technical Parameters:
- Remarks:

## China Electric Winch for Accommodation Ladder:



The electric winch is a short-time working machinery mainly for hoisting and lowering the ship's accommodation ladder. It is with compact structure, equipped with electric control switch. It is reliable and easy in operation. The winch is also equipped with manual device. When operating manually in the case of emergency, Limit switch cuts the power off immediately so as to ensure the safety of operator.

This series of winch have two mounted types: Pad-mounted type and hanging type (Pad-mounted type: ED, Hanging type: EC), installed on the deck or hung under the upper deck. It has two types: left type and right type, they should be manufactured symmetrically.

Standard: ISO7364-1983, GB1392-85

Main Parts: frame, drum, gear box, motor, handle.

## Main Technical Parameters:

Working Load		10KN	16KN	20KN
Support Load		30KN	48KN	60KN
Rope Dia		13mm	13-15mm	15-17.5mm
Electric Motor	380V,50Hz	2.2KW	3.7KW	7.5KW
	440V,60Hz	2.5KW	4.0KW	8.5KW
Drum rope capacity		37m	50m	68m
Hoist Speed		8.09m/min	10m/min	16m/min

## Remarks:

1. Change the working oil in the gear box regularly. After the 1st 50hours' usage, change all lubrication oil and clean the gear box. The lubrication oil should be changed once for one year. N68 (GB443-84) mechanical oil or ISO VG68 is adopted for lubricating. About 4.6 liter of lubrication oil should be put into the gear box for the first time .

2. All blocks and riggings that wire rope on drum will pass by should be lubricated with calcium base grease ZG-3(GB491-65) and often filled with grease.