

ELECTRICAL CONNECTORS

Explosion Proof Junction Box dCJXH202

- ISO9001 Supplier
- Class Certificate
- Export Supply

Technical Specification Type dCJXH202-1 dCJXH202-2 dCJXH202-3 dCJXH202-4 Volt...



Key Highlights

Category	Electrical Connectors
Material	Brass
Weight / Size	Technical Specification Type dCJXH202-1 dCJXH202-2 dCJXH202-3 dCJXH202-4...
Certificate	ABS, LR, BV, DNVGL, NK, KR, IRS, RMRS, CCS

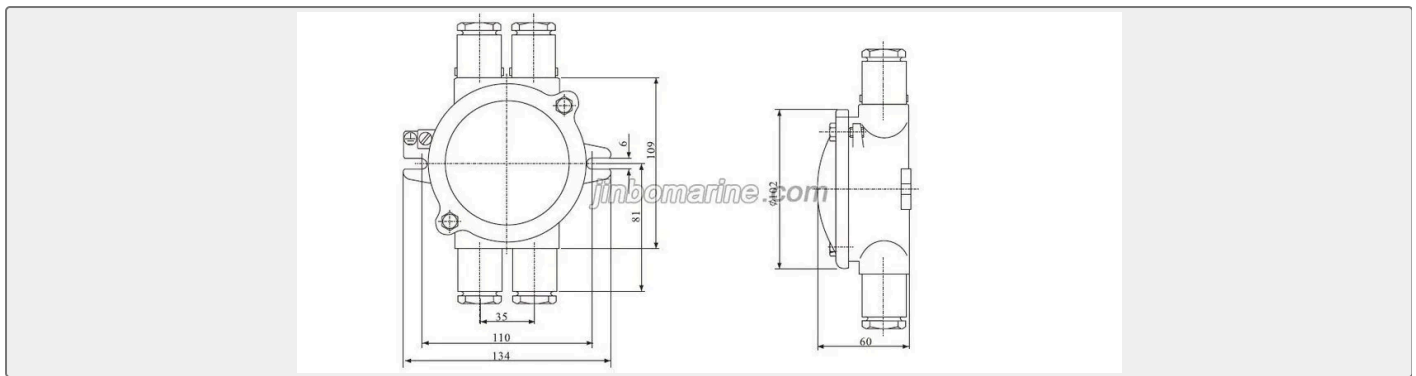
We can supply according to your requirement, drawings, class certificate needs, and delivery schedule.

Technical Specifications			
Category	Electrical Connectors	Model / SKU	Explosion-Proof-Junction-Box-dCJXH202
Material	Brass	Weight / Size	Technical Specification Type dCJXH202-1 dCJXH202-2 dCJXH202-3 dCJXH202-4 Voltage 250V/16A Explision-Proof Mark Exde II C T6 Protection Class IP56 Material Brass Cable Diameter Dia10-12.5 Weight 1.4kgs 1.4kgs 1.5kgs 1.5kgs
Certificate	ABS, LR, BV, DNVGL, NK, KR, IRS, RMRS, CCS	Warranty	12 Months unless specified otherwise
Origin	China		

China Explosion Proof Junction Box dCJXH202:

Technical Specification





Type	dCJXH202-1	dCJXH202-2	dCJXH202-3	dCJXH202-4
Voltage	250V/16A			
Explosion-Proof Mark	Exde II C T6			
Protection Class	IP56			
Material	Brass			
Cable Diameter	Dia10-12.5			
Weight	1.4kgs	1.4kgs	1.5kgs	1.5kgs