

ELECTRICAL CONNECTORS

Explosion Proof Socket and Plug dCTH202/dCZH202

ISO9001 Supplier

Class Certificate

Export Supply

Explosion Proof Socket Explosion Proof Plug Name Explosion-Proof Socket Explosion-Proof Plug T...



Key Highlights

Category	Electrical Connectors
Material	Brass
Weight / Size	Explosion Proof Socket Explosion Proof Plug Name Explosion-Proof Socket ...
Certificate	ABS, LR, BV, DNVGL, NK, KR, IRS, RMRS, CCS

We can supply according to your requirement, drawings, class certificate needs, and delivery schedule.

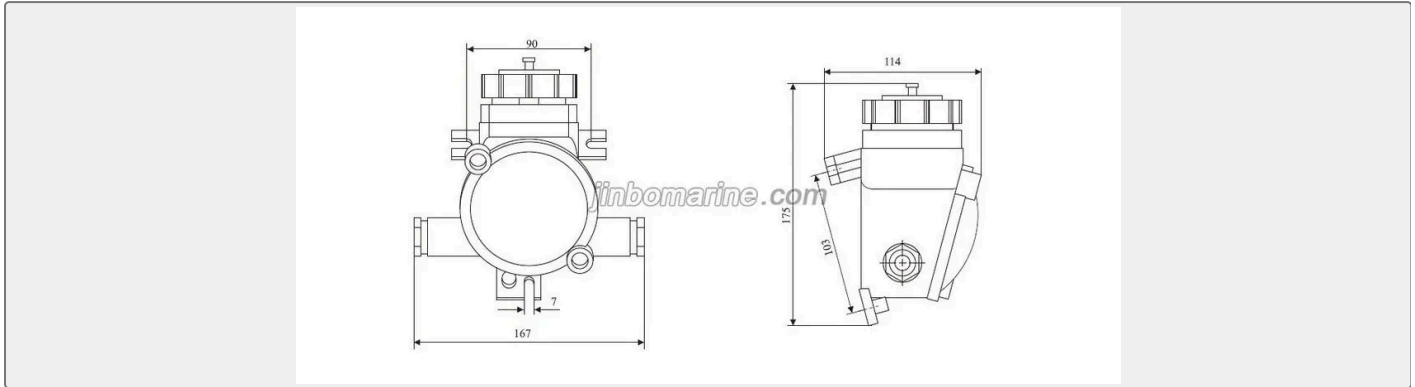
Technical Specifications

Category	Electrical Connectors	Model / SKU	Explosion-Proof-Socket-and-Plug-dCTH202-dCZH202
Material	Brass	Weight / Size	Explosion Proof Socket Explosion Proof Plug Name Explosion-Proof Socket Explosion-Proof Plug Type dCZH202-1 dCZH202-2 dCZH202-3 dCTH202-3 Voltage 250V/16A 250V/16A Explision-Proof Mark Exde II C T6 Exe II T6 Protection Class IP56 Material Brass Cable Diameter Dia10-12.5 Weight 2.6kgs 2.6kgs 2.7kgs 1.25kgs
Certificate	ABS, LR, BV, DNVGL, NK, KR, IRS, RMRS, CCS	Warranty	12 Months unless specified otherwise
Origin	China		

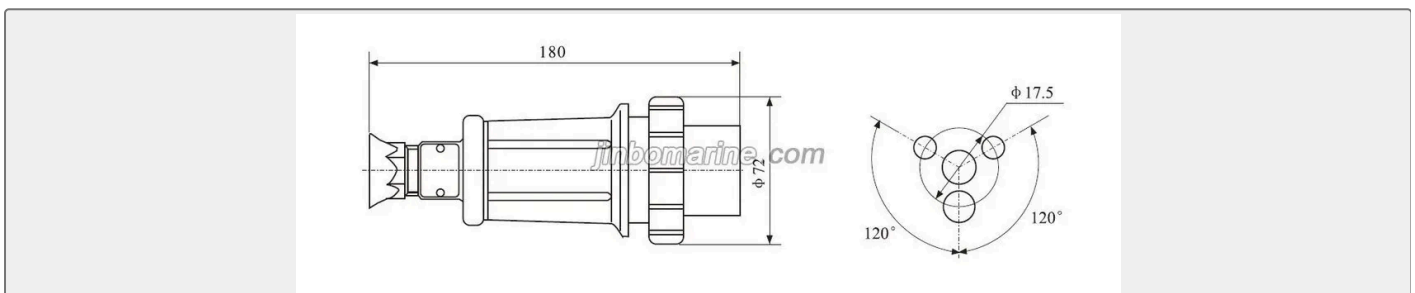


China Explosion Proof Socket and Plug dCTH202/dCZH202:

Explosion Proof Socket



Explosion Proof Plug



Name	Explosion-Proof Socket			Explosion-Proof Plug
Type	dCZH202-1	dCZH202-2	dCZH202-3	dCTH202-3
Voltage	250V/16A			250V/16A
Explosion-Proof Mark	Exde II C T6			Exe II T6
Protection Class	IP56			
Material	Brass			
Cable Diameter	Dia10-12.5			
Weight	2.6kgs	2.6kgs	2.7kgs	1.25kgs